



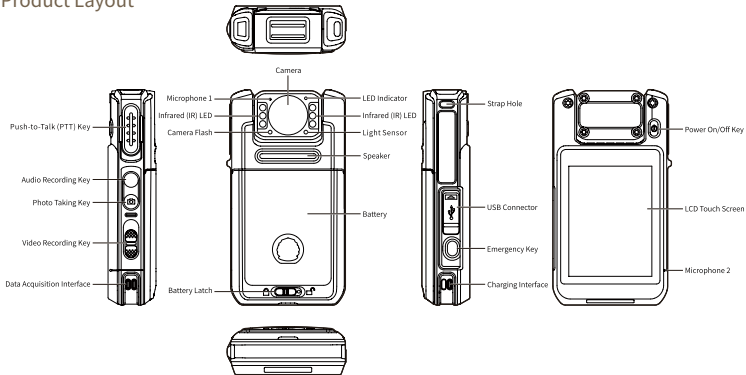
*VM780 4G Body Worn Camera*  
**Quick Reference Guide**

# Key Operations

- Press: Press the key and release it rapidly.
- Long press: Press the key and release it after a predefined period of time.
- Press and hold: Press and hold the key without releasing.

## Product Overview

### Product Layout



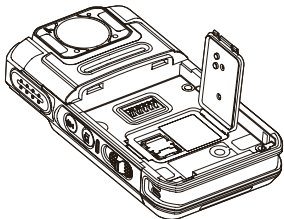
## LED Indicator

Status	Description
Glows red	<ul style="list-style-type: none"><li>• The product is transmitting voice or emergency alarm.</li><li>• The product is being charged.</li><li>• The TF card is full (lasts for three seconds).</li><li>• The product is being turned off (lasts for two seconds).</li></ul>
Glows green	<ul style="list-style-type: none"><li>• The product is receiving voice or emergency alarm.</li><li>• The product is fully charged.</li><li>• The product is being turned on.</li></ul>
Glows orange	Call hang time. You can press and hold the <b>PTT</b> key to speak.
Flashes orange rapidly	<ul style="list-style-type: none"><li>• No voice transmission in emergency mode.</li><li>• The remaining capacity of the TF card is less than 2 GB (lasts for three seconds).</li></ul>
Flashes red slowly	<ul style="list-style-type: none"><li>• Flashes once every second: The product is recording a video.</li><li>• Flashes once every five seconds: The battery runs low. Please recharge or replace the battery in time.</li></ul>
Flashes orange slowly	The product is recording an audio.

## Before Use

### Installing the Nano SIM Card

Open the card slot cover and unlock the SIM card flip cover according to the instructions on it. Place the Nano SIM card into the slot and lock the flip cover and slot cover, as shown in the following figure.

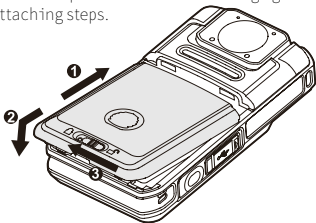


## Attaching the Battery

### Warning

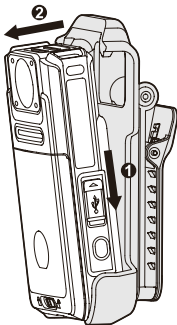
Use only the Hytera standard or optional battery. Polarity reverse or use of other batteries may result in explosion and fire hazards.

Attach the battery according to the steps shown in the following figure. To remove the battery, turn off the product and reverse the attaching steps.



## Attaching the Belt Clip

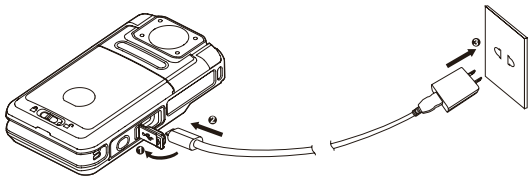
Attach the belt clip according to the steps shown in the following figure. To remove the belt clip, reverse the attaching steps.



## Charging the Product

The LED indicator on the product tells its charging status, see LED Indicators for details.

To charge the product, do as follows:



## Basic Operations

### Turning On/Off the Product

#### Turning On the Product

In power-off mode, long press the **On/Off** key for three seconds.

#### Turning Off the Product

In power-on mode, long press the **On/Off** key for three seconds.

### Logging in to the SmartEye/P-PoC6000 Server

You need to log in to the SmartEye/P-PoC6000 server to use features such as video polling and PoC talking.

- MPTT+P-PoC6000+SmartOne Solution
  1. Tap **MPTT** to enter the login interface.
  2. Tap **Server Configure** to setup the sever information.
  3. Tap **Save** and return to the login interface.
  4. Enter your account and password, and tap **Login**.

Obtain your account and password from the administrator of the network management system. Select **rem account** and **rem password** so that you can log in directly next time.

- MPU+SmartEye Solution
  1. In the MPU preview screen, tap the icon on the upper right corner and select **Login**.
  2. Enter the address and port number of the SmartEye server, and tap **OK**.

Upon successful login, the **Login** button is changed to **Logout**.

## Recording Videos

- Normal recording: in preview mode, toggle the **Video Recording** key to start video recording; the LCD screen displays the recording time. During video recording, toggle the **Video Recording** key again to finish recording.
- Key recording: during video recording, press the **Audio Recording** key to mark the video as key recording or unmark a key recording.

## Recording Audios

- Normal recording: in preview mode, long press the **Audio Recording** key to start audio recording; the LCD screen displays the recording time. During audio recording, long press the **Audio Recording** key again to finish recording.
- Key recording: during audio recording, press the **Audio Recording** key to mark the audio as key recording or unmark a key recording.

## Taking Photos

Press the **Photo Taking** key to take a photo.

## PoC Talking

- MPTT+P-PoC6000+SmartOne Solution
  - » To answer a full-duplex individual voice/video call: press the **PTT** key.

- » To hang up a full-duplex individual voice/video call: long press the **Photo Taking** key.
- » To transmit or receive a half-duplex voice/video call: press and hold the **PTT** key and talk to **Microphone 1**; release the **PTT** key to receive a call.

- MPU+SmartEye Solution

To transmit or receive a half-duplex voice call: press and hold the **PTT** key and talk to **Microphone 1**; release the PTT key to receive a call.

## Emergency Mode

- Enabling Emergency Mode

In emergency situations, press the **Emergency** key to enable emergency alarm. The product will start key video recording, and enable video polling to the SmartOne dispatch or the SmartEye monitor and seek help from the command and dispatch center.

- Disabling Emergency Mode

In emergency mode, long press the **Emergency** key to disable emergency alarm. The product will finish key video recording and stop video polling to the SmartOne dispatch or the SmartEye monitor.

For details on more features and operations, please visit our website at: <http://www.hytera.com>, or scan the QR code to download the related user manual.



is the trademark or registered trademark of Hytera Communications Corporation Limited.

©2018 Hytera Communications Corporation Limited. All Rights Reserved.

Address: Hytera Tower, Hi-Tech Industrial Park North, 9108# Beihuan Road, Nanshan District, Shenzhen, People's Republic of China

Postcode: 518057

<http://www.hytera.com>

O10745 Y08862



5202010060687A

