



WAVE™ Mobile TLK 150 Installation Guide

JUNE 2021

© 2021 Motorola Solutions, Inc. All rights reserved



MN006372A01-AF

Contents

List of Figures.....	4
List of Tables.....	5
Chapter 1: Notations Used in This Manual.....	6
Chapter 2: Introduction.....	7
2.1 Mobile Radio Description.....	7
2.1.1 Dimensions.....	7
2.1.2 Connections on the Back of the Radio.....	8
2.2 Vehicle Configuration.....	8
2.3 Base/Control Stations for Indoor Use.....	9
Chapter 3: Installation Details for Standard Configurations.....	11
3.1 Planning the Installation.....	11
3.1.1 Tools Required for Installation.....	11
3.1.2 Installation Example.....	11
3.1.3 Wiring Diagrams.....	12
3.2 Radio Mounting.....	14
3.2.1 Dash Mount with Trunnion.....	14
3.2.2 Locking Kit (Optional).....	16
3.2.2.1 Installing Locking Kit for All Radios.....	16
3.3 Inserting the SIM Card.....	17
3.4 DIN Mount.....	18
3.4.1 Installing the Frame into the Dashboard.....	18
3.4.2 Mounting the Radio in the Frame.....	19
3.4.3 Removing the Radio from the Frame.....	20
3.5 Power Cables.....	20
3.6 Ignition Sense Cable.....	21
3.7 Antenna Installation.....	21
3.7.1 Installing the Antenna.....	22
3.8 Microphone Hang-Up Clip.....	24
3.8.1 Standard Hang-Up Clip.....	25
3.9 Completing the Installation.....	25
Chapter 4: Accessories Installation.....	26
4.1 Emergency Pushbutton or Footswitch Installation.....	28
4.2 Mounting External Speaker.....	29
4.3 Installing External Speaker.....	30
4.4 Installing Visor Mounted Microphone.....	31

4.5 Installing Push-To-Talk (PTT).....	31
Chapter 5: Best Practices: Installation & Troubleshooting.....	32
5.1 Check Wiring of Ignition and Radio Ignition Sensing.....	32
5.2 Check Physical Installation of Radio Ground and Radio Accessory Wiring.....	32
5.3 Improving the Electrical Quality of the Power and Ignition Lines.....	32
5.4 Jump-Start the Vehicle.....	33
Appendix A: Replacement Parts Ordering.....	34
Appendix B: Motorola Solutions Offices.....	36
Legal and Compliance Statements.....	38
Product Safety and RF Exposure Compliance.....	38
Computer Software Copyrights.....	38
Disclaimer.....	38
Trademarks.....	38
Limited Warranty.....	39
MOTOROLA SOLUTIONS COMMUNICATION PRODUCTS.....	39
I. WHAT THIS WARRANTY COVERS AND FOR HOW LONG:.....	39
II. GENERAL PROVISIONS.....	39
III. STATE LAW RIGHTS:.....	39
IV. HOW TO GET WARRANTY SERVICE.....	40
V. WHAT THIS WARRANTY DOES NOT COVER.....	40
VI. PATENT AND SOFTWARE PROVISIONS.....	40
VII. GOVERNING LAW.....	41

List of Figures

Figure 1: Front View of Dash Mount Trunnion	7
Figure 2: Side View of Dash Mount with Low Profile Trunnion	7
Figure 3: Back View of the Mobile Radio	8
Figure 4: Vehicle Configuration	9
Figure 5: Example of a Base/Control Station Configuration for Indoor Use	10
Figure 6: Typical Dash Mount Configuration	12
Figure 7: Radio Installation (Dash Mount)	13
Figure 8: Trunnion Orientation for Above or Below Mobile	14
Figure 9: Transmission Hump Trunnion Mounting	15
Figure 10: Below Dash Trunnion Mounting	16
Figure 11: Locking Kit (Optional)	17
Figure 12: Dashboard Mounting	19
Figure 13: Cabling Interconnect Diagram for Dash Mount	21
Figure 14: Antenna Connections on the Back of the Radio	22
Figure 15: GNSS Antenna Installation On The Dashboard	23
Figure 16: GNSS Antenna Installation Inside The Windshield	24
Figure 17: Location of the Rear Accessory Connector	26
Figure 18: 16-pin Accessory Connector Block	27
Figure 19: Pin Configuration of Rear Accessory Connector (as viewed from the rear of the radio)	27
Figure 20: Emergency Switch Wiring Diagram	29
Figure 21: External Speaker Mounting	30

List of Tables

Table 1: Rear Accessory Connector Pin Functions	27
Table 2: Motorola Solutions Offices	36

Chapter 1

Notations Used in This Manual

Throughout the text in this publication, you will notice the use of warning, caution, and notice notations. These notations are used to emphasize that safety hazards exist, and due care must be taken and observed.



WARNING: WARNING indicates a potentially hazardous situation which, if not avoided, could result in death or injury.



CAUTION: CAUTION indicates a potentially hazardous situation which, if not avoided, might result in equipment damage.



NOTE: NOTICE indicates an operational procedure, practice, or condition that is essential to emphasize.

Chapter 2

Introduction

This manual covers the installation procedures for Mobile Radios and accessories required to complete the radio system.

2.1

Mobile Radio Description

This chapter covers the basic dimensions of the dash mount trunnion of the mobile radio.

2.1.1

Dimensions

When installing the radio, plan the installation carefully. Leave room for cabling and accessory connections in the installed location. For the installation of the radio into the trunnion, use the appropriate hardware.



NOTE: The measurement unit used is millimeter unless otherwise stated.

Figure 1: Front View of Dash Mount Trunnion

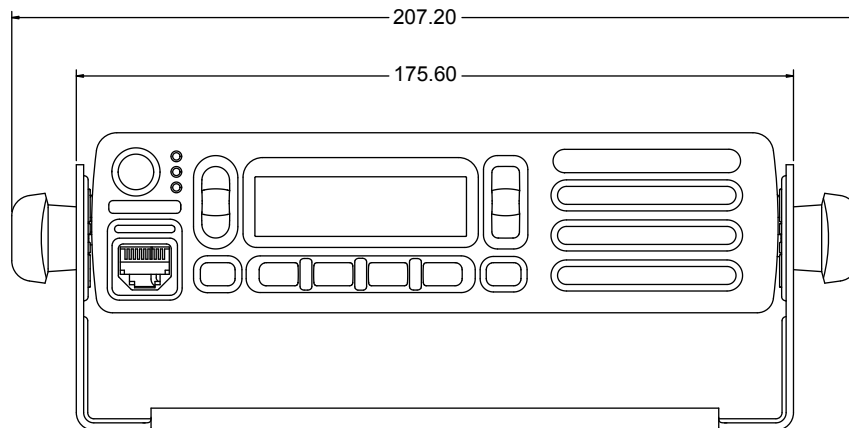
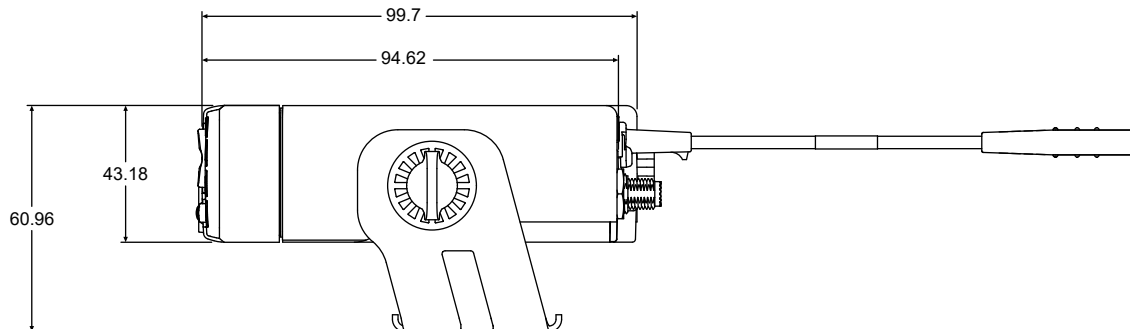


Figure 2: Side View of Dash Mount with Low Profile Trunnion

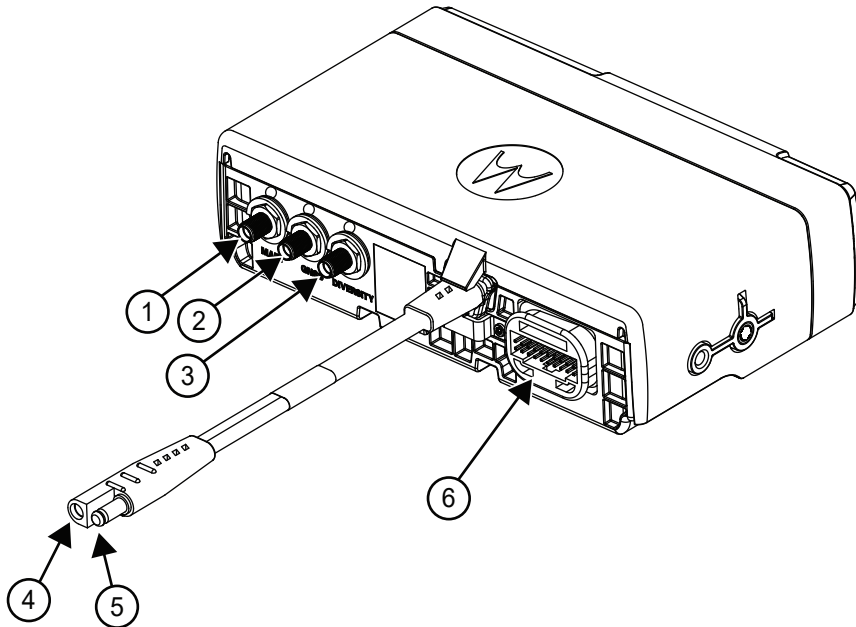


2.1.2 Connections on the Back of the Radio

The following figure shows the connections that are found on the back of the radio.

For complete pin configuration of the rear accessory connector, refer to "Pin Configuration of Rear Accessory Connector".

Figure 3: Back View of the Mobile Radio

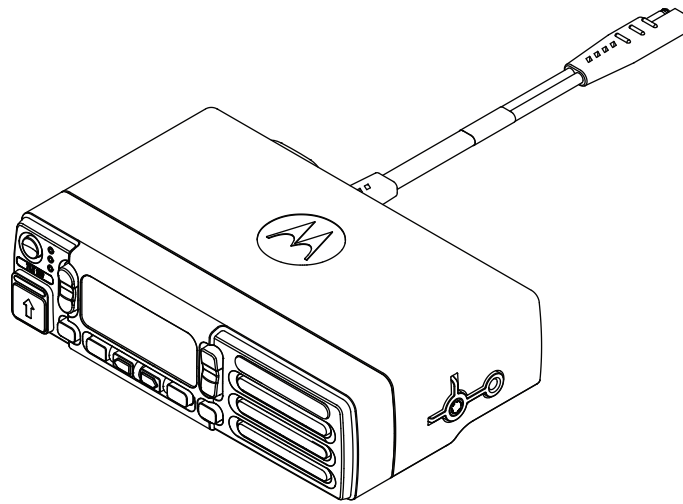


Item	Description
1	Main LTE Antenna Connector (Red)
2	LTE Diversity Antenna Connector (Blue)
3	GNSS Antenna Connector (Yellow)
4	Battery-
5	Battery+
6	Rear Accessory Connector

2.2 Vehicle Configuration

The radio control head is mounted on the front of the transceiver housing. Electrical connection between the two takes place within the radio via a flexible cable between the connectors on the front of the transceiver and at the back of the control head.

Figure 4: Vehicle Configuration



For more details on the configuration, refer to [Installation Example on page 11](#).

2.3

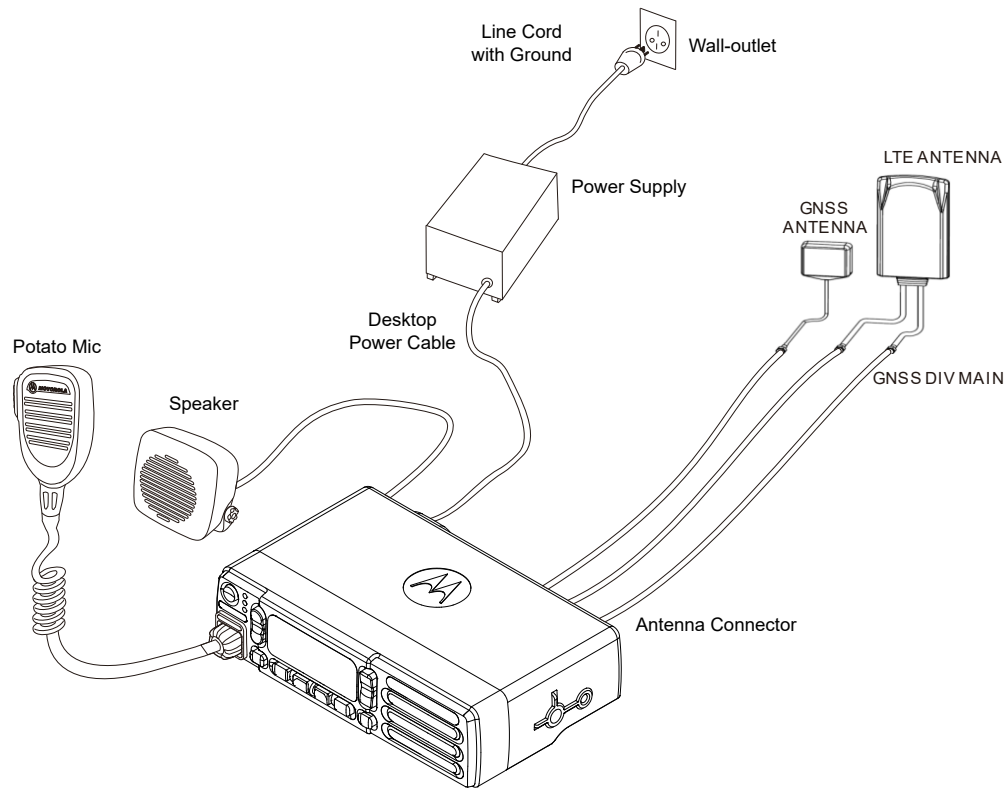
Base/Control Stations for Indoor Use

We need to ensure that the optimal performance and RF energy exposure limits is compliance with the standards and guidelines listed in the Safety Booklet.

If the mobile radio equipment is installed at a fixed location and operated as a control station or fixed unit for indoor use, the radio and antenna installation must comply with the following requirements.

- The line voltage of the power supply must have a proper ground connection.
- The licensee is responsible to manage all fixed site antenna installations in accordance with the applicable regulatory requirements.

Figure 5: Example of a Base/Control Station Configuration for Indoor Use



Chapter 3

Installation Details for Standard Configurations

The mobile radio operates only in negative ground electrical systems.

Before starting the radio installation, make sure that the ground polarity of the vehicle is correct. Accidentally reversing the polarity will not damage the radio, but will cause the cable fuses to blow.

3.1

Planning the Installation

Planning is the key to fast, easy radio installation. Before starting the installation, inspect the vehicle and determine how and where you intend to mount the antenna, radio, and accessories.

Plan wire and cable runs to provide maximum protection from pinching, crushing, and overheating.



CAUTION:

Before installing any electrical equipment, check the vehicle manufacturer user manual for warnings or recommendations.

The installation of this device should be completed by an authorized servicer or installer. Failure to properly install the device may result in damage to the device, or improper operation.

3.1.1

Tools Required for Installation

The following table shows the tools required for installation.

- Rubber-coated pliers
- Regular slot screwdriver or Phillips #2
- Pin removal tool
- ¼ hex driver
- 11/32 hex driver

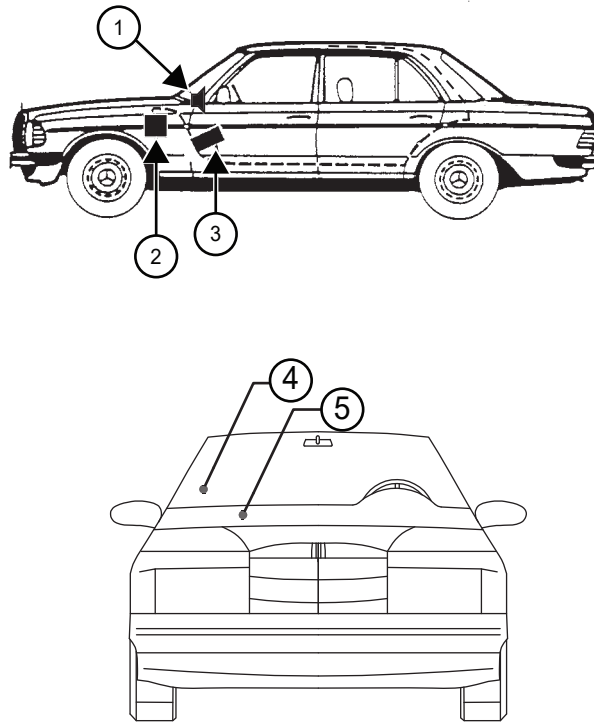
3.1.2

Installation Example

The mobile two-way radio offers various methods of installation, with accessories placed to the vehicle as desired.

The radio can only be installed in a dash mount configuration.

Figure 6: Typical Dash Mount Configuration



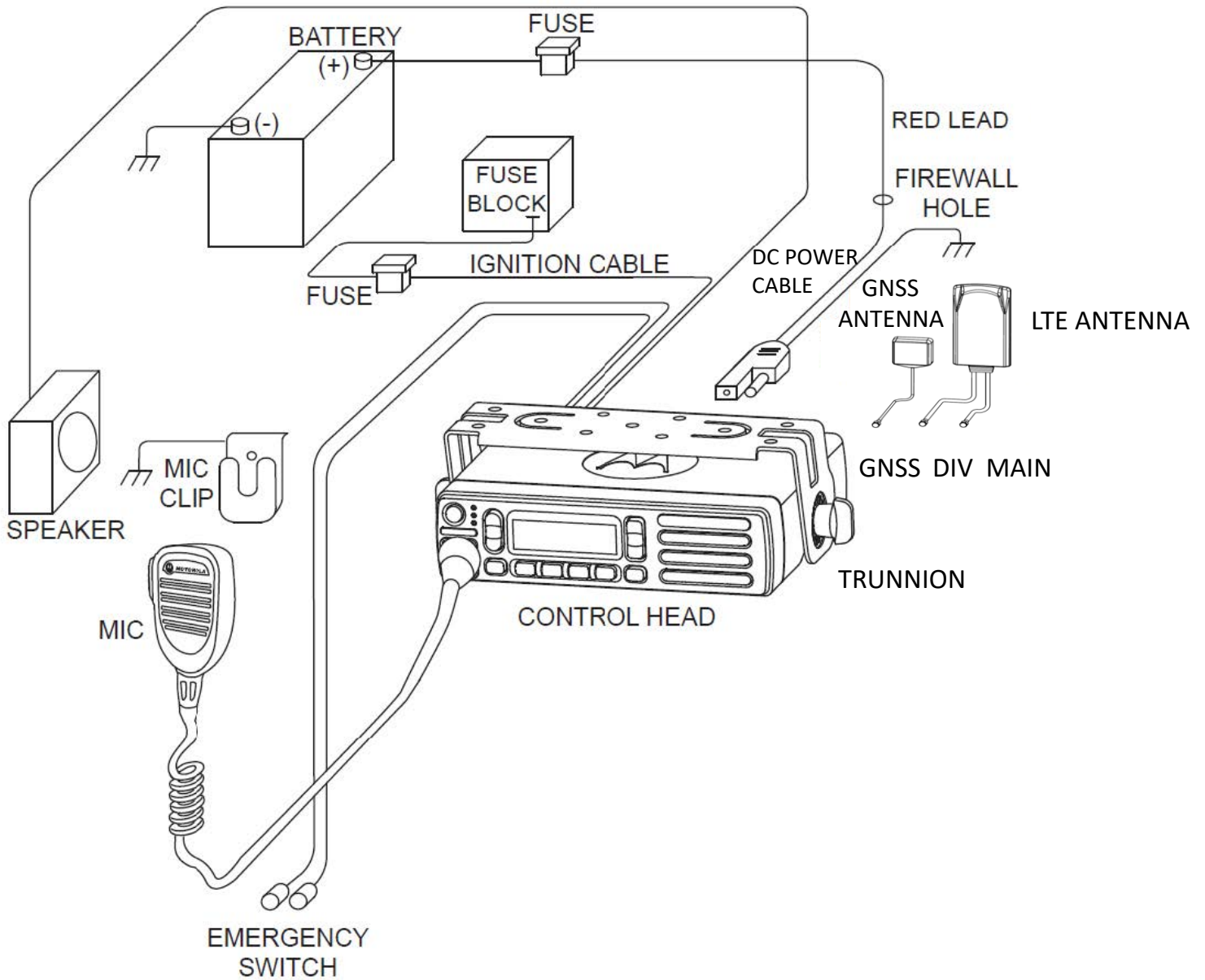
Label	Description
1	Antenna ¼ Wavelength
2	Speaker
3	Battery
4	Antenna Installation Location (inside windscreen)
5	Antenna Installation Location (above the car dash board)

3.1.3

Wiring Diagrams

Identify the configuration that you are installing and uses the wiring diagram when planning the installation.

Figure 7: Radio Installation (Dash Mount)



NOTE: For complete rear accessory connector pin configuration, see [Accessories Installation](#) on page 26.

3.2

Radio Mounting



CAUTION:

Do not mount the radio on a plastic dashboard without first reinforcing the dashboard; the weight of the radio may crack or break the dashboard.

Do not mount the radio on a flat or concave surface where the radio could be partially submersed in water. This is especially important if the cab area of the vehicle is cleaned by spraying with water. If the radio sits in water for a length of time, moisture may seep inside the radio and damage the electronic components.

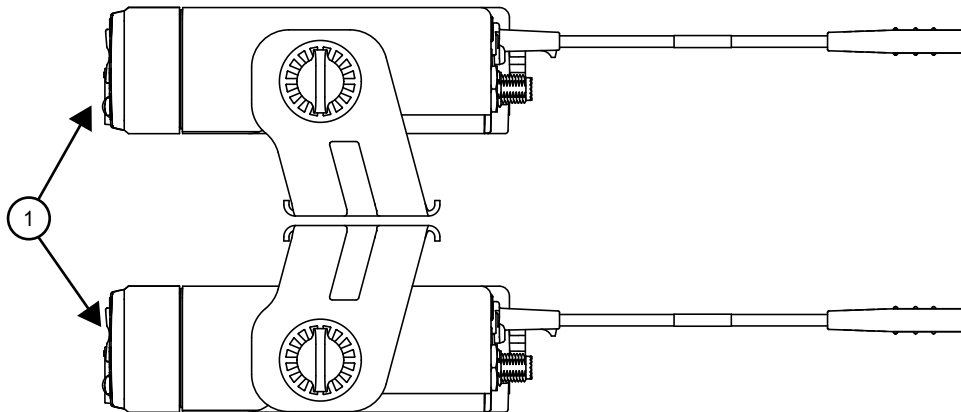
Do not allow water to stand in recessed areas of vertically mounted radios. Remove any moisture immediately to prevent it from seeping down into the radio.

The mounting location must be accessible and visible. Select a location that permits routing the RF antenna cable as directly as possible.

For new or existing installations, use one of the mounting kits as specified in table below. Orient the mounting trunnion.

Mounting Kit	Motorola Solutions Part Number
Low Profile Trunnion Kit	RLN6466_
Standard Profile Trunnion Kit	RLN6467_
Key Lock Trunnion Kit	RLN6468_
DIN Mount	FTN6083_

Figure 8: Trunnion Orientation for Above or Below Mobile



Label	Description
1	Radio Front

3.2.1

Dash Mount with Trunnion

Procedure:

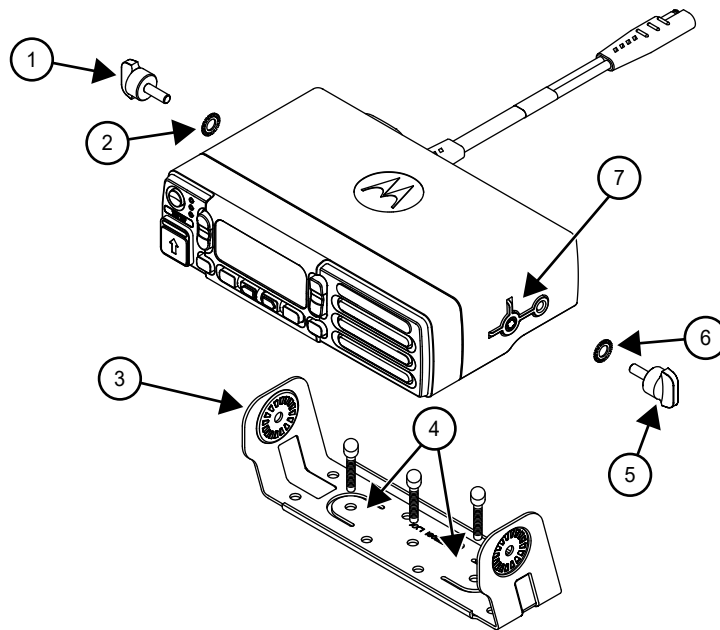
- 1 Select the location to mount your radio on the transmission hump or under the dash.



NOTE: When mounting the trunnion on the transmission hump take care that the transmission housing is not affected.

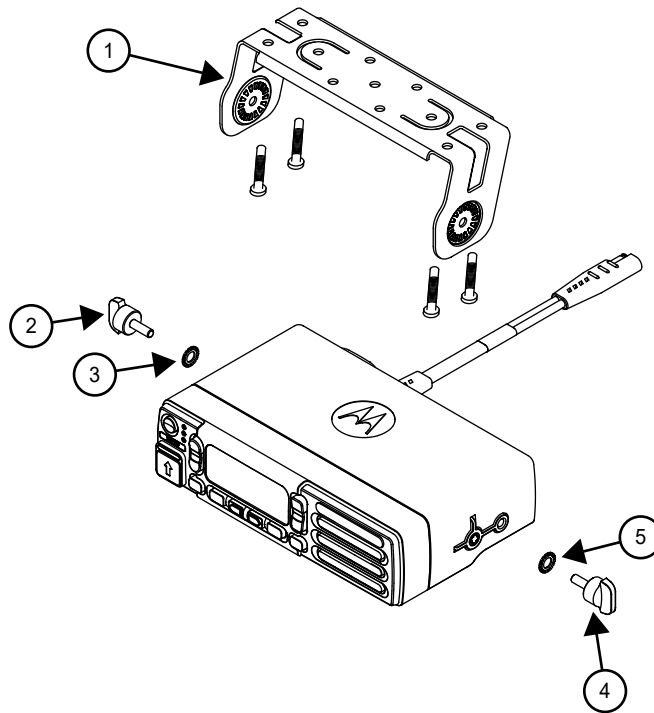
- 2 Using the trunnion mounting bracket as a template, mark the positions of the holes on the mounting surface. Use the innermost four holes for a curved mounting surface such as the transmission hump, and the four outmost holes for a flat surface such as under the dash.
- 3 Center punch the spots you have marked and realign the trunnion in position.
- 4 Secure the trunnion mounting bracket with the four self-drilling screws provided. The number of screws used will depend on how the radio is mounted.
- 5 Position the radio to align the trunnion with the trunnion mounting features on the radio. Secure the radio with the two wing screws and lock washers (position the flat side of the washer to the thumbscrew and the washer sharp side to the trunnion) provided.

Figure 9: Transmission Hump Trunnion Mounting



Label	Description
1	Wing Screw
2	Lock Washer
3	Trunnion
4	Tabs
5	Wing Screw
6	Lock Washer
7	Threaded Hole for Wing Screw

Figure 10: Below Dash Trunnion Mounting



Label	Description
1	Trunnion
2 and 4	Wing Screw
3 and 5	Lock Washer

3.2.2

Locking Kit (Optional)

If an optional locking kit is used, refer to the following steps to install locking kit for all radio types.

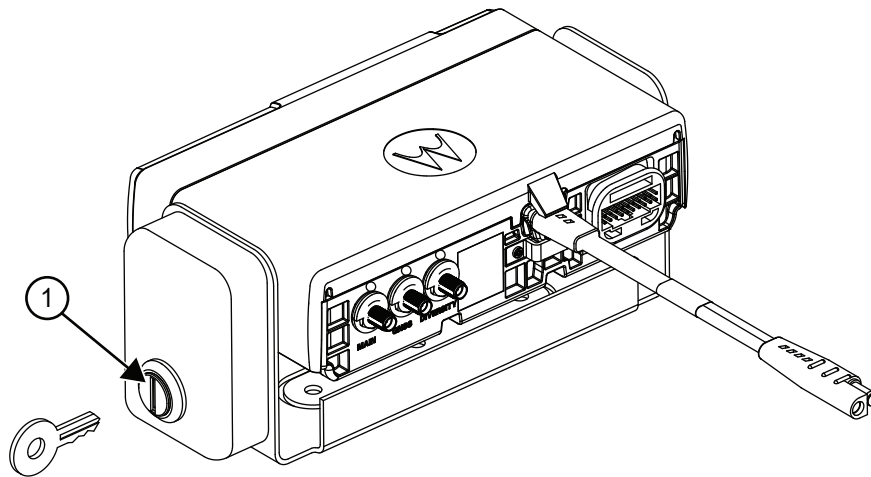
3.2.2.1

Installing Locking Kit for All Radios

Procedure:

- 1 Position the lock bottom housing on the trunnion before installing the radio mounting screws.
- 2 Slip the top lock housing on and remove the key.
- 3 Install the lock on either side of the radio.

Figure 11: Locking Kit (Optional)



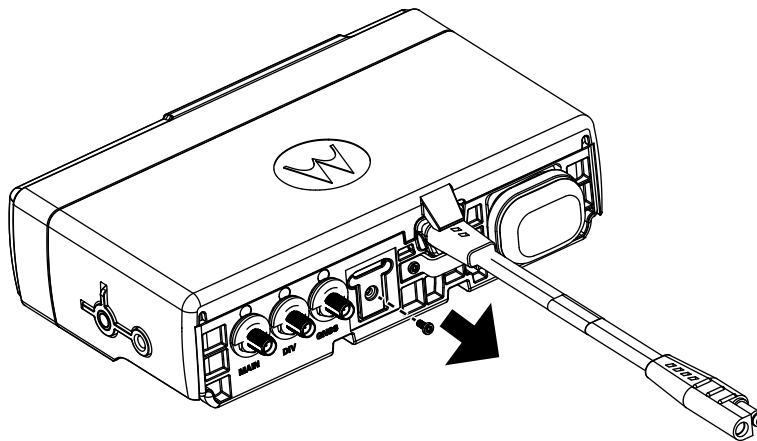
Label	Description
1	Lock

3.3

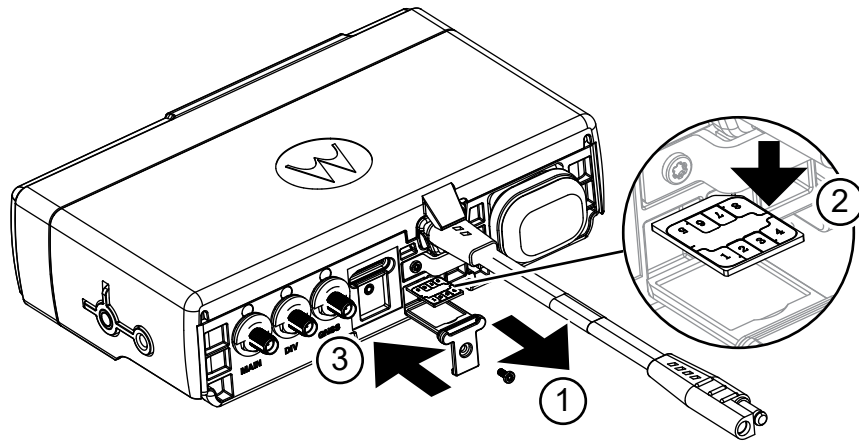
Inserting the SIM Card

Procedure:

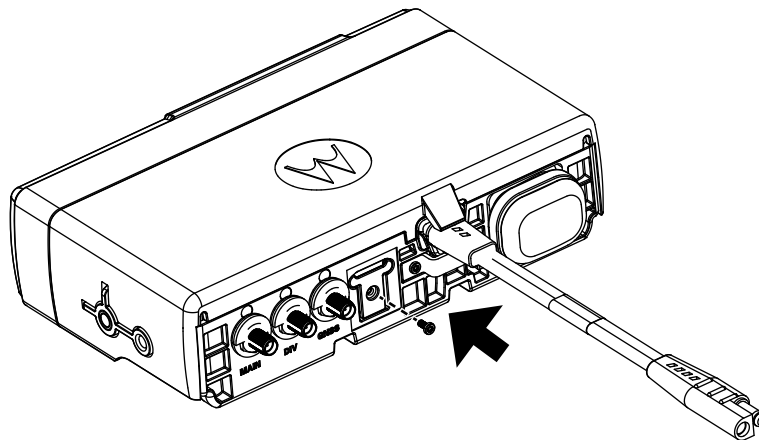
- 1 Unscrew the SIM card slot using a screwdriver.



- 2 Insert the SIM card into the SIM card slot.
- 3 Insert the SIM card slot into the radio.



- 4 Screw the SIM card slot using a screwdriver.



3.4

DIN Mount

This chapter explains the steps to install, mount, and remove the Mounting Frame.

3.4.1

Installing the Frame into the Dashboard

Procedure:

- 1 Open up the radio cut-out in the dashboard to ISO7736 specification (182 mm x 53 mm).

- 2 Insert the mounting frame into the cut-out and retain it by bending back the relevant fixing tabs (using all six where possible). Check the orientation of the frame is correct by ensuring that the word "TOP" is uppermost.



NOTE:

The tabs are easily bent back by twisting a large flat-head screwdriver in the slot behind the tabs.

For a more secure installation, the frame should also be secured with the appropriate number of screws to the mounting conditions (min. 1).

The demounting tool can be used as an aid to mounting as well as demounting.

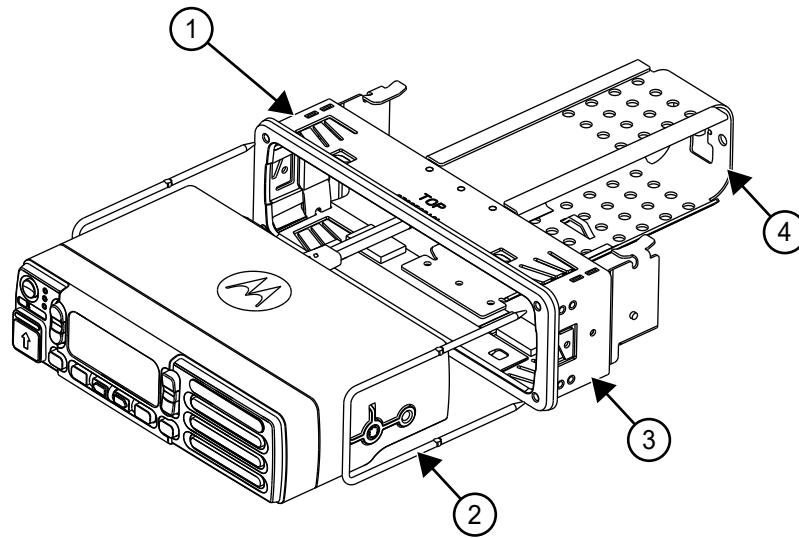
3.4.2

Mounting the Radio in the Frame

Procedure:

- 1 Provide the electrical connections for the radio (power, antenna, accessories).
- 2 Plug in all the connectors and push the radio firmly into the mounting frame until the two springs snap into place.

Figure 12: Dashboard Mounting



Label	Description
1	Fixing Tabs
2	Demounting Tool
3	DIN Mount
4	Fix screws here to secure frame

3.4.3

Removing the Radio from the Frame

Procedure:

- 1 Push the two demounting tools through the openings in the frame until the two springs release the radio.
- 2 Slide out the radio.

**NOTE:**

If the radio cannot be removed, push the two demounting tools sideways inward.

The fixing tabs should be checked for tightness each time the radio is removed. The tabs are easily tightened by twisting a large flat-head screwdriver in the slot behind the tabs.

The frame is not designed for regular mounting and demounting.

3.5

Power Cables

Route the red radio power cable from the radio to the battery compartment of the vehicle, using accepted industry methods and standards. Be sure to grommet the firewall hole to protect the cable.

Remove the 15-Amp fuse from the fuseholder and connect the red lead of the radio power cable to the positive battery terminal using the hardware provided.

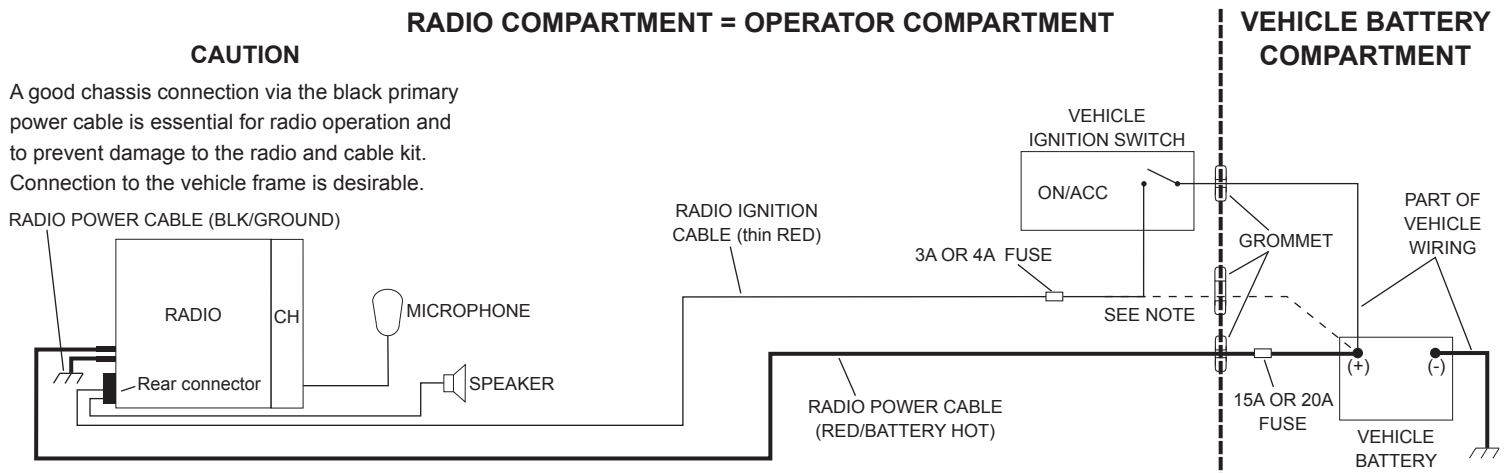
Connect the black lead to a convenient solid chassis ground point. Do not connect the black lead directly to the battery negative terminal.

**NOTE:**

The radio nominal operating voltage for 12 V vehicle installation is 13.2 VDC with an operating voltage range of 10.8–15.6 V.

The radio nominal operating voltage for 24 V vehicle installation is 27.6 VDC with an operating voltage range of 22.1 V to 33.1 V.

Figure 13: Cabling Interconnect Diagram for Dash Mount



CAUTION

A good chassis connection via the black primary power cable is essential for radio operation and to prevent damage to the radio and cable kit. Connection to the vehicle frame is desirable.

NOTE:

Caution: if you choose to connect the radio's IGNITION line directly to the car's battery, excess use of the radio when the car's ignition is not running (i.e. alternator running) could result in a slow discharge of the car's battery. This configuration allows the radio to operate with the car's ignition switch ON or OFF.

If the radio's IGNITION line is wired to the car's ignition switch, ensure the radio is configured on Wave on Cloud (WoC) to use Power or Ignition to switch on or off the radio .

3.6

Ignition Sense Cable

Motorola Solutions supplies an ignition sense cable and recommends that it be used with every mobile installation. The ignition sense cable allows the radio to be turned on and off with the vehicle ignition switch.

For radio ON/OFF control via the ignition switch, connect the red ignition cable to "ignition" at the fuse block.

The ignition sense cable uses a 3-Amp fuse.

3.7

Antenna Installation



NOTE: To comply with RF Energy Safety standards, ensure that the LTE antenna is installed at least 20 cm away from passengers or bystanders.

3.7.1

Installing the Antenna



CAUTION: Do not interfere, or restrict driving or airbag operations when installing the antenna.



NOTE: Do not install the LTE antenna and GNSS antenna outside of the vehicle.

Procedure:

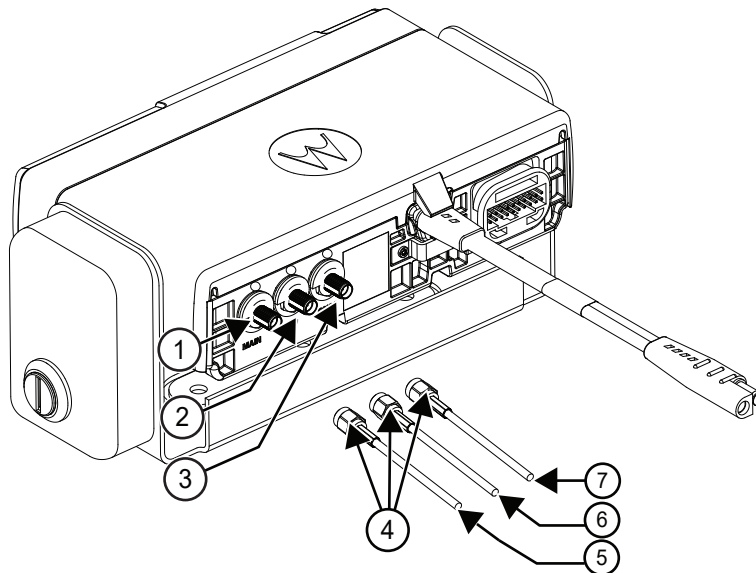
- 1 Mount the antenna according to the instructions provided with the antenna kit. Run the coaxial cable to the radio mounting location.



NOTE: Do not mount the antenna on metal surface.

- 2 Connect the antenna cable connector to the radio antenna connector on the rear of the radio.

Figure 14: Antenna Connections on the Back of the Radio



Label	Description
1	Main LTE Antenna Connector (Red)
2	LTE Diversity Antenna Connector (Blue)
3	GNSS Antenna Connector (Yellow)
4	Antenna Cable Plug
5	Main Antenna Cable
6	DIV Antenna Cable
7	GNSS Antenna Cable

- 3 Connect the two LTE antenna ports which consist of Main and Diversity to the Main SMA connector (red) and Diversity SMA connector (blue) respectively.
- 4 Connect the GNSS antenna to the GPS antenna SMA connector (yellow) on the rear of the radio.

- 5 To install the LTE antenna, remove the adhesive tape protective layer at the bottom of the antenna surface and adhere the antenna on the dashboard or on the internal surface of the windshield as an alternative.
- 6 To install the GNSS antenna, perform one of the following actions:



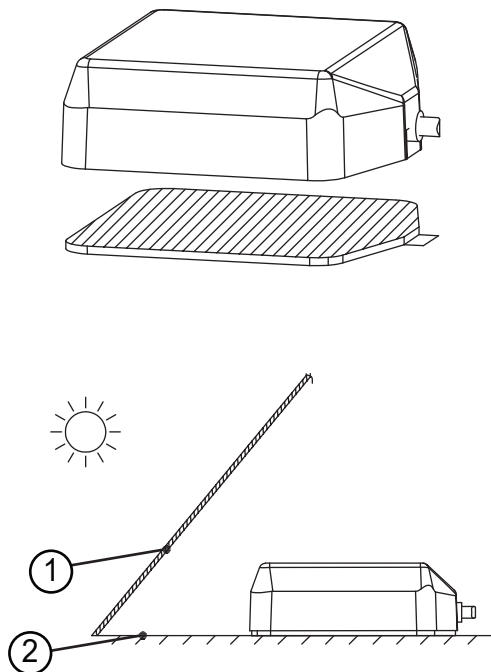
NOTE:

Ensure the LTE antenna and the GNSS antenna are 30 cm apart.

You can install the antenna on the dashboard or on the internal surface of the windshield as an alternative.

- To install the GNSS antenna on the dashboard, attach the adhesive film (red) at the bottom side of the antenna. Remove the protective layer on the adhesive film (red) and adhere the antenna on the dashboard.

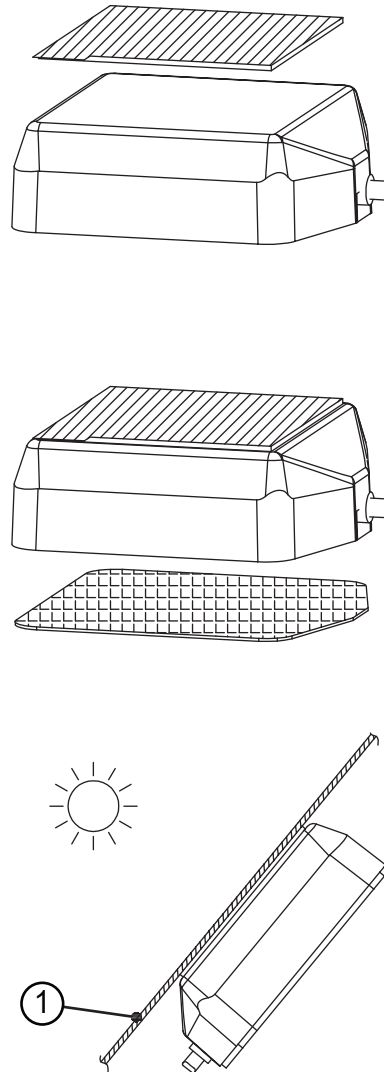
Figure 15: GNSS Antenna Installation On The Dashboard




Label	Description
1	Windshield
2	Dashboard

- To install the GNSS antenna on the internal surface of the windshield, attach the adhesive film (red) at the top side of the antenna, and decorative film (black) at the bottom side of the antenna. Remove the protective layer on the adhesive film (red) and adhere the antenna on the windshield.


Figure 16: GNSS Antenna Installation Inside The Windshield



Label	Description
1	Windshield

 **NOTE:** Ensure the antenna is securely adhered to the surface.

7 Tighten the antenna cable connector using your hand.

 **NOTE:** Do not use pliers or any other metallic tool.

3.8

Microphone Hang-Up Clip

This chapter explains the usage of Standard Hang-Up Clip.

3.8.1

Standard Hang-Up Clip

The hang-up clip must be within reach of the operator(s). Measure this distance before actually mounting the bracket. Since the bracket has a positive-detent action, the microphone can be mounted in any position. The microphone hang-up clip must be grounded.

Use the hang-up clip as a template to locate the mounting holes. To avoid interference when removing the microphone, install the flathead screw in the top clip hole.

3.9

Completing the Installation

Connect the power wires and plug in the microphone cable to the mobile radio to complete the installation.

Chapter 4

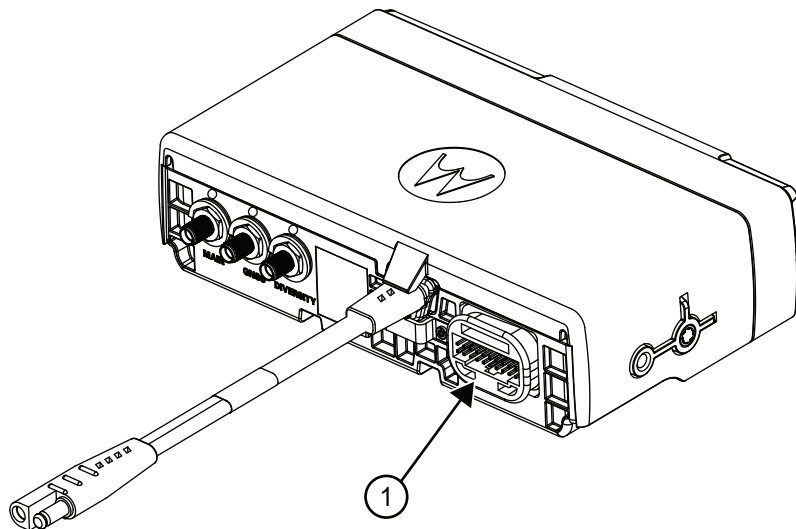
Accessories Installation

The accessories must be installed through the rear accessory connector that is located on the rear of the radio, adjacent to the power connector.

Connect approved TLK 150 accessories to the rear Mobile Accessory Port (MAP) connector through 16-pin MAP connector kit (HLN9457_). The accessory connector block protects the pins from short circuit. Most of the Motorola Solutions-approved accessories are supplied with female terminals specifically designed to fit the accessory connector block.

Insert the accessories' female terminal into the appropriate location on the accessory connector block as shown in Pin Configuration of Rear Accessory Connector (as viewed from the rear of the radio). Turn off your radio and disconnect the power cable. Connect the accessory connector block to the rear MAP connector. Ensure all accessories and cables have been securely connected. Finally, connect the power cable.

Figure 17: Location of the Rear Accessory Connector



Label	Description
1	Rear Mobile Accessory Port (MAP) Connector

Figure 18: 16-pin Accessory Connector Block

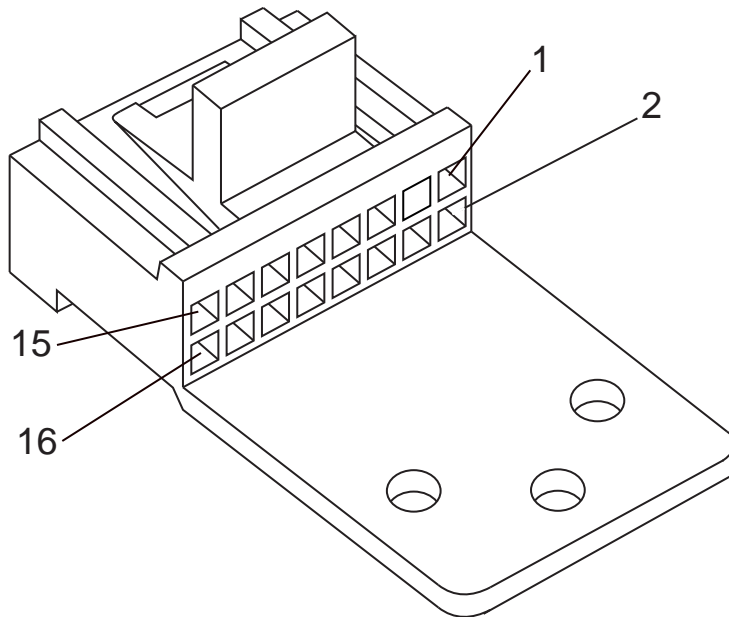


Figure 19: Pin Configuration of Rear Accessory Connector (as viewed from the rear of the radio)

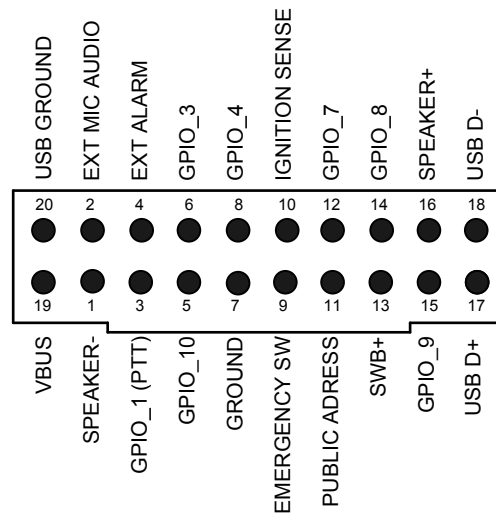


Table 1: Rear Accessory Connector Pin Functions

Pin No.	Pin Name	Pin Function
1	Speaker-	Speaker - (3.2 Ω minimum impedance)
2	Ext Mic Audio	Rear External Microphone Input
3	GPIO-1 (PTT)	5 V Level GPIO, PTT Input ¹

Pin No.	Pin Name	Pin Function
4	Ext Alarm	Reserved for future supported and approved accessories.
5	GPIO_10	Reserved for future supported and approved accessories.
6	GPIO_3	5 V Level GPIO, External Microphone Detection ²
7	Ground	Ground
8	GPIO_4	Reserved for future supported and approved accessories.
9	Emergency SW	Emergency Switch Input
10	Ignition Sense	Ignition Sense Input ³
11	Public Address	Audio output for external speaker.
12	GPIO_7	Reserved for future supported and approved accessories.
13	SWB+	Reserved for future supported and approved accessories.
14	GPIO_8	Reserved for future supported and approved accessories.
15	GPIO_9	5 V Level GPIO, External Speaker Detection ⁴
16	Speaker+	Speaker + (3.2 Ω minimum impedance)
17	USB D+	Universal Serial Bus Data + ⁵
18	USB D-	Universal Serial Bus Data - ⁵
19	VBUS	USB Power (5 V from USB Cable) ⁵
20	USB Ground	Universal Serial Bus Ground

4.1

Emergency Pushbutton or Footswitch Installation

Mount the emergency pushbutton (Motorola Solutions part number RLN4857_) or the footswitch (Motorola Solutions part number RLN4836_R) using the hardware that comes with the kit. Press the terminal into the accessory connector housing. Connect the emergency switch wires to pins 9 and 7. Route the finished cable from the switch location to the control head location.

¹ Pulling this line to ground activates the Ext Mic Audio input.

² GPIO_3 must be grounded if external visor microphone is connected.

³ See *Wiring Diagrams* and *Power Cable* chapters for wiring information.

⁴ GPIO_9 must be grounded if external speaker is connected.


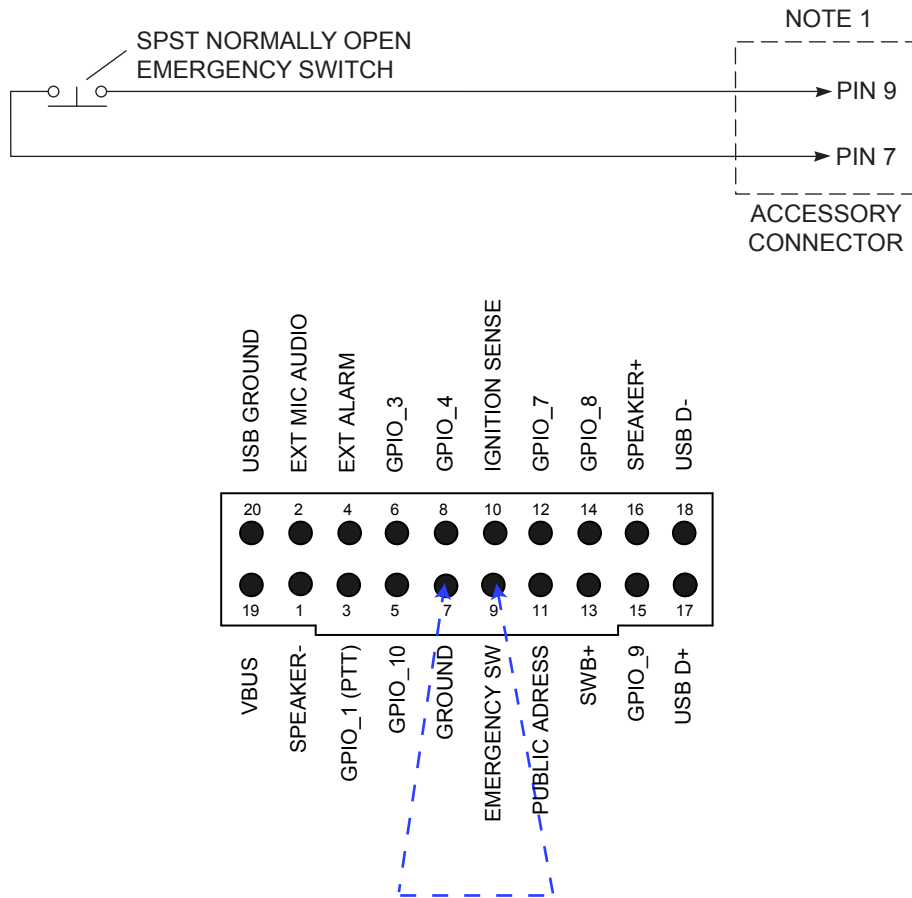
⁵  **CAUTION:** Applying greater than 5 V to the pin can cause damage to the circuit.

Figure 20: Emergency Switch Wiring Diagram



4.2

Mounting External Speaker

The external speaker kit includes a trunnion bracket that allows the speaker to be mounted in various ways.

Prerequisites:



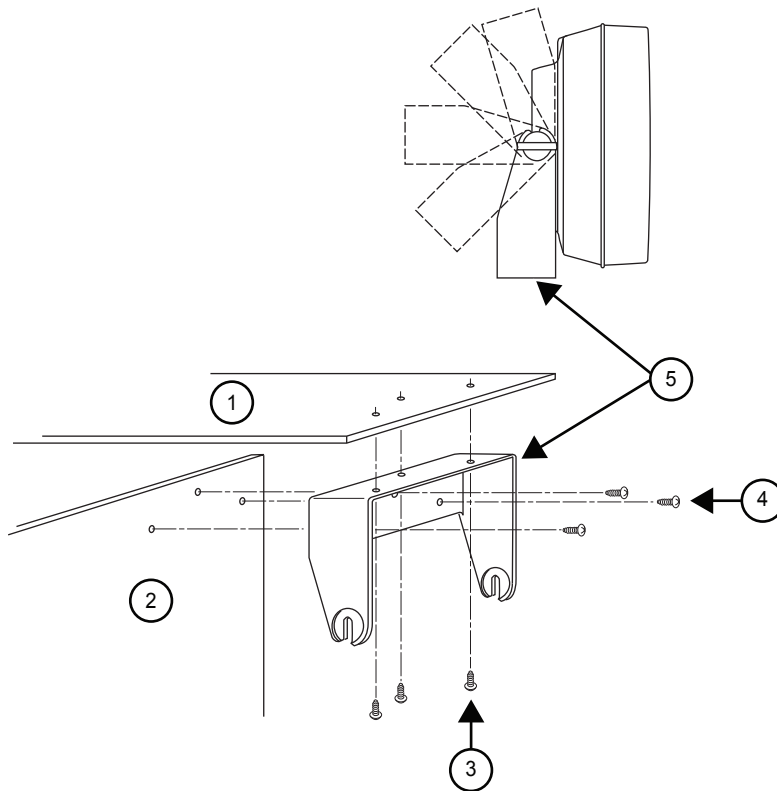
CAUTION: Do not ground the radio speaker leads. This system has a floating speaker output (dc voltage on both leads); grounding or shorting both leads damage the audio circuit.

When and where to use: With the trunnion bracket, the external speaker can be mounted permanently on the dashboard or in accessible firewall areas. The trunnion allows the external speaker to tilt for best operation. Mount the external speaker out of the way so that it will not be kicked or knocked around by the vehicle occupants.

Procedure:

- 1 Use the external speaker mounting bracket as a template to mark the mounting hole locations.
- 2 Use the self-drilling screws provided to fasten the trunnion.
- 3 Attach the external speaker and fasten to the trunnion with two wing screws.
- 4 Route the speaker wires under the carpet or floor covering, or behind the kick panels. Be sure that the wires are out of the way and will not be snagged and broken by the occupants of the vehicle.

Figure 21: External Speaker Mounting



Label	Description
1	Dashboard
2	Firewall
3	Can be mounted permanently on dashboard.
4	Can be mounted permanently in firewall areas.
5	Trunnion Bracket

4.3

Installing External Speaker

When and where to use: External Speaker (Motorola Solutions part number AC000240A01_) cable connects to a 16-pin MAP connector kit (Motorola Solutions part number HLN9457_).

Procedure:

- 1 Connect two lead of wires with crimped contact to Pin 16 (Speaker +) and Pin 1 (Speaker-). Polarity is not important.
- 2 Connect Pin 15 (GPIO_9) to Pin 7 (Ground) for external speaker detection.
- 3 Plug the 16-pin MAP connector kit to the center of Rear Mobile Accessory Port (MAP) Connector.

4.4

Installing Visor Mounted Microphone

When and where to use: Visor Mounted microphone (Motorola Solutions part number GMMN4065_) cable connects to a 16-pin MAP connector kit (Motorola Solutions part number HLN9457_).

Procedure:

- 1 Connect the lead of white lead wire with crimped contact to Pin 2 (Ext Mic Audio).
- 2 Connect the lead of ground wire with crimped contact to Pin 7.(Ground).
- 3 Connect Pin 6 (GPIO_3) to Pin 7 (Ground) for external microphone detection.
- 4 Plug the 16-pin MAP connector kit to the center of Rear Mobile Accessory Port (MAP) Connector.

4.5

Installing Push-To-Talk (PTT)

When and where to use: Remote mount foot switch PTT (Motorola Solutions part number RLN4856_) or remote mount push-button PTT (Motorola Solutions part number RLN4857_) cable connects to a 16-pin MAP connector kit (Motorola Solutions part number HLN9457_).

Procedure:

- 1 Connect the lead of wire with crimped contact to Pin 3 (GPIO-1).
- 2 Ground the lead of wire with crimped contact to Pin 7 (Ground).
- 3 Connect Pin 6 (GPIO_3) to Pin 7 (Ground) for external microphone detection.
- 4 Plug the 16-pin MAP connector kit to the center of Rear Mobile Accessory Port (MAP) Connector.

Chapter 5

Best Practices: Installation & Troubleshooting

In this section are Motorola Solutions recommended vehicle installation practices that can address or prevent many issues, including:

- Radio circuit damage due to over voltage condition
- Radio/Accessories "lock up"
- Radio/Accessories change state/lock-up when radio PTT is depressed
- Radio intermittently resets
- Alternator whine present when transmitting with engine running
- Radio/Accessories turn themselves on/off
- Radio sending false emergency alerts at vehicle cranking or during battery maintenance

5.1

Check Wiring of Ignition and Radio Ignition Sensing

- If it is required to turn the radio on and off through the ignition sense switch, in addition to the control head on/off switch, connect the ignition sense lead to the accessory terminal from the ignition switch (usually in the vehicle fuse panel under accessory or radio).

5.2

Check Physical Installation of Radio Ground and Radio Accessory Wiring

- Verify that the red A+ lead is connected directly to the positive terminal of the battery and the black ground lead is connected to the vehicle chassis using a wire with practical length.
- For vehicles that have other types of electronic equipment installed such as lights, flashers, computers siren, PA, and others, use a separate ground for the mobile radio equipment.
- Make sure that the LTE antenna is the minimum required distance (15 cm) from the mobile radio equipment for good coexistence performance between LTE and WiFi transceivers.
- Do not coil up any excess length of the red A+ lead. This action may cause a large transient voltage to be produced when there is a high current drain for example, during transmit.
- Do not coil up any excessive length of antenna cable, if possible. It may affect the radio receive performance.

5.3

Improving the Electrical Quality of the Power and Ignition Lines

Procedure:

- 1 To use a relay to isolate the vehicle ignition switch point (ACC) from the radio ignition sense point. Perform the following actions:
 - a Control this relay from the vehicle ignition switch point (ACC).

- b Supply a cleaner voltage from the positive terminal of the battery into the relay, which is attached to the radio ignition sense point.
 - c Toggle the relay from the ACC line, instead of toggling the radio ignition sense line.
- 2 To install a Power Line Filter between the A+ lead and the positive terminal of the battery. Perform the following actions:
 - a Filter the battery power applied to the transmitter power amplifiers.
 - b Pay extra caution to this because the series filter introduces a negative spike when the radio transmits that may cause problems with radio operation.
- 3 For vehicles that use electromechanical relays to control external devices such as lights, motors, switch boxes. Perform the following actions:
 - a Isolate the relay circuits from the mobile radio equipment.
 - b Use a Diode suppression across the relay contacts to minimize the noise produced by the collapsing magnetic field.
- 4 To use a ignition sense switch. Perform the following actions:
 - a Make sure that there is not a large voltage drop between the A+ point (usually the positive terminal of the battery) and the ignition sense point.
 - b The voltage difference between these two points, should not be greater than 1.5 V when all accessories or air-conditioner are turned on.
 - c Refer to the Basic Service Manual for specifications for minimum and maximum voltage levels.
 - d Typical battery voltage levels are 13.6 V \pm 20%.

5.4

Jump-Start the Vehicle


Prerequisites:



CAUTION: Do not jump-start vehicle with radio power or ignition sense cables connected. Damage to the radio and/or accessories may result.

The state of your radio prior to needing a jump-start may be unknown, and the radio may attempt to return to its last state (radio ON), when doing a jump-start. Therefore, Motorola Solutions recommends the following steps be taken before jump-starting any vehicle containing a radio.

Procedure:

- 1 Locate the ignition sense line and the main power leads (thick red wire) near the battery positive terminal.
 - 
NOTE: These lines are fused. In the event these lines are not fused (add the appropriate fuse in line) use whatever tools necessary to physically disconnect the ignition sense and power lines from the battery terminal.
- 2 Open up the fuse holders and remove the fuses out of the kits.
- 3 Re-tighten the fuse holders but without the fuses to insure that ignition sense and power lines do not interfere with moving parts.
- 4 Proceed with the jump-start routine as described by your vehicle owner manual.
- 5 Once the jump-start process is complete, re-install the fuses into their holders.

Appendix A

Replacement Parts Ordering

Some replacement parts, spare parts, and/or product information can be ordered directly from the Motorola Solutions local distribution organization or through Motorola Online.

Basic Ordering Information

While parts may be assigned with a Motorola Solutions part number, they may not be available from the Motorola Solutions Radio Products and Solutions Organization⁶ (RPSO). Some parts may have become obsolete and are no longer available in the market due to cancellations by the supplier. If no Motorola Solutions part number is assigned, the part is normally not available from Motorola Solutions, or is not a user-serviceable part. Part numbers appended with an asterisk are serviceable by Motorola Solutions Depot only.

Place orders for replacement parts, kits, and assemblies directly on Motorola Solutions local distribution organization or through Motorola Online. When ordering replacement parts or equipment information, include the complete identification number. This applies to all components, kits, and chassis. If the component part number is not known, the order should include the number of the chassis or kit of which it is a part of, and sufficient description of the desired component to identify it.

To identify non-referenced spare parts, request for help from the Customer Care organization of a Motorola Solutions local area representative.

Motorola Online

The product catalog is available on the Motorola Online website. To register for login access:

- For U.S. and Canada Service Centers only, call 1-800-422-4210.

Types of Orders	Contact Information
Mail Orders Mail orders are only accepted by the U.S. Federal Government Markets Division (USFGMD).	Motorola Solutions 7031 Columbia Gateway Drive 3rd Floor – Order Processing Columbia, MD 21046 U.S.A.
Telephone Orders and Parts Identification	Radio Products and Solutions Organization (RPSO) (United States and Canada) 7:00 AM to 7:00 PM (Central Standard Time) Monday through Friday (Chicago, U.S.A.) 1-800-422-4210 1-847-538-8023 (United States and Canada) U.S. Federal Government Markets Division (USFGMD)

⁶ Radio Products and Solutions Organization (RPSO) was formerly known as the Radio Products Services Division (RPSD) and/or the Accessories and Aftermarket Division (AAD).

Types of Orders	Contact Information
Fax Orders	1-800-826-1913 Federal Government Parts (Credit Cards Only) 8:30 AM to 5:00 PM (Eastern Standard Time) Radio Products and Solutions Organization (RPSO) (United States and Canada) 1-800-622-6210 1-847-576-3023 (United States and Canada) U.S. Federal Government Markets Division (USFGMD) 1-800-526-8641

Product Customer Service

Radio Products and Solutions Organization (RPSO) (United States and Canada)
1-800-927-2744

Appendix B

Motorola Solutions Offices

For more information regarding to your radio, please contact the following Motorola Solutions Offices to submit your queries.

Table 2: Motorola Solutions Offices

Office	Address	Telephone Number
Motorola Solutions Service Center	1220 Don Haskins Drive, Suite A El Paso, TX 79936	915-872-8200
Motorola Solutions Federal Technical Center	10105 Senate Drive Lanham, MD 20706	1800-969-6680 Fax: 1800-784-4113
Motorola Solutions Canadian Technical Logistics Center	181 Whitehall Drive Markham, Ontario L3R 9T1	1-800-543-3222

Document History

The following major changes have been implemented in this manual since the previous edition:

Edition	Description	Date
MN006372A01-AA	Initial Release.	March 2020
MN006372A01-AB	Japanese translation update	May 2020
MN006372A01-AC	Visor Mounted microphone part number is updated in Installing Visor Mounted Microphone.	July 2020
MN006372A01-AD	Added in Inserting SIM card topic and updated Installing the Antenna topic.	January 2021
MN006372A01-AE	Added Installation Example topic. Updated Rear Accessory Connector Pin Functions table in Accessories Installation.	February 2021
MN006372A01-AF	Updated Rear Accessory Connector Pin Functions table in Accessories Installation.	June 2021

Foreword

This manual is intended for use by experienced technicians familiar with similar types of equipment. Specifically, it contains installation information required for the Mobile Radios.

For details on radio operation or component-level troubleshooting, refer to the applicable manuals available separately. A list of related publications is provided in the Related Publications section.

Document Copyrights

No duplication or distribution of this document or any portion thereof shall take place without the express written permission of Motorola Solutions. No part of this manual may be reproduced, distributed, or transmitted in any form or by any means, electronic or mechanical, for any purpose without the express written permission of Motorola Solutions.

Legal and Compliance Statements

Product Safety and RF Exposure Compliance



CAUTION: Before using this product, read the Product Safety and RF Exposure booklet enclosed with your radio which contains important operating instructions for safe usage and RF energy awareness and control for compliance with applicable standards and regulations.

Computer Software Copyrights

The Motorola Solutions products described in this manual may include copyrighted Motorola Solutions computer programs stored in semiconductor memories or other media. Laws in the United States and other countries preserve for Motorola Solutions certain exclusive rights for copyrighted computer programs, including, but not limited to, the exclusive right to copy or reproduce in any form the copyrighted computer program. Accordingly, any copyrighted Motorola Solutions computer programs contained in the Motorola Solutions products described in this manual may not be copied, reproduced, modified, reverse-engineered, or distributed in any manner without the express written permission of Motorola Solutions. Furthermore, the purchase of Motorola Solutions products shall not be deemed to grant either directly or by implication, estoppel, or otherwise, any license under the copyrights, patents or patent applications of Motorola Solutions, except for the normal non-exclusive license to use that arises by operation of law in the sale of a product.

Disclaimer

The information in this document is carefully examined, and is believed to be entirely reliable. However, no responsibility is assumed for inaccuracies. Furthermore, Motorola Solutions reserves the right to make changes to any products herein to improve readability, function, or design. Motorola Solutions does not assume any liability arising out of the applications or use of any product or circuit described herein; nor does it cover any license under its patent rights nor the rights of others.

Trademarks

© 2021 Motorola Solutions, Inc. All rights reserved.

MOTOROLA, MOTO, MOTOROLA SOLUTIONS and the Stylized M logo are trademarks or registered trademarks of Motorola Trademark Holdings, LLC and are used under license. All other trademarks are the property of their respective owners.

Limited Warranty

MOTOROLA SOLUTIONS COMMUNICATION PRODUCTS

I. WHAT THIS WARRANTY COVERS AND FOR HOW LONG:

Motorola Solutions, Inc. ("Motorola Solutions") warrants the Motorola Solutions manufactured Communication Products listed below ("Product") against defects in material and workmanship under normal use and service for a period of time from the date of purchase as scheduled below:

Mobile Radio	1 Year
Product Accessories	1 Year

Motorola Solutions, at its option, will at no charge either repair the Product (with new or reconditioned parts), replace it (with a new or reconditioned Product), or refund the purchase price of the Product during the warranty period provided it is returned in accordance with the terms of this warranty. Replaced parts or boards are warranted for the balance of the original applicable warranty period. All replaced parts of Product shall become the property of Motorola Solutions.

This express limited warranty is extended by Motorola Solutions to the original end user purchaser only and is not assignable or transferable to any other party. This is the complete warranty for the Product manufactured by Motorola Solutions. Motorola Solutions assumes no obligations or liability for additions or modifications to this warranty unless made in writing and signed by an officer of Motorola Solutions.

Unless made in a separate agreement between Motorola Solutions and the original end user purchaser, Motorola Solutions does not warrant the installation, maintenance or service of the Product.

Motorola Solutions cannot be responsible in any way for any ancillary equipment not furnished by Motorola Solutions which is attached to or used in connection with the Product, or for operation of the Product with any ancillary equipment, and all such equipment is expressly excluded from this warranty. Because each system which may use the Product is unique, Motorola Solutions disclaims liability for range, coverage, or operation of the system as a whole under this warranty.

II. GENERAL PROVISIONS

This warranty sets forth the full extent of Motorola Solutions responsibilities regarding the Product. Repair, replacement or refund of the purchase price, at Motorola Solutions option, is the exclusive remedy. THIS WARRANTY IS GIVEN IN LIEU OF ALL OTHER EXPRESS WARRANTIES. IMPLIED WARRANTIES, INCLUDING WITHOUT LIMITATION, IMPLIED WARRANTIES OF MERCHANTABILITY AND FITNESS FOR A PARTICULAR PURPOSE, ARE LIMITED TO THE DURATION OF THIS LIMITED WARRANTY. IN NO EVENT SHALL MOTOROLA SOLUTIONS BE LIABLE FOR DAMAGES IN EXCESS OF THE PURCHASE PRICE OF THE PRODUCT, FOR ANY LOSS OF USE, LOSS OF TIME, INCONVENIENCE, COMMERCIAL LOSS, LOST PROFITS OR SAVINGS OR OTHER INCIDENTAL, SPECIAL OR CONSEQUENTIAL DAMAGES ARISING OUT OF THE USE OR INABILITY TO USE SUCH PRODUCT, TO THE FULL EXTENT SUCH MAY BE DISCLAIMED BY LAW.

III. STATE LAW RIGHTS:

SOME STATES DO NOT ALLOW THE EXCLUSION OR LIMITATION OF INCIDENTAL OR CONSEQUENTIAL DAMAGES OR LIMITATION ON HOW LONG AN IMPLIED WARRANTY LASTS, SO THE ABOVE LIMITATION OR EXCLUSIONS MAY NOT APPLY.

This warranty gives specific legal rights, and there may be other rights which may vary from state to state.

IV. HOW TO GET WARRANTY SERVICE

You must provide proof of purchase (bearing the date of purchase and Product item serial number) in order to receive warranty service and, also, deliver or send the Product item, transportation and insurance prepaid, to an authorized warranty service location. Warranty service will be provided by Motorola Solutions through one of its authorized warranty service locations. If you first contact the company which sold you the Product (for example, dealer or communication service provider), it can facilitate your obtaining warranty service. You can also call Motorola Solutions at 1-800-927-2744.

V. WHAT THIS WARRANTY DOES NOT COVER

- 1 Defects or damage resulting from use of the Product in other than its normal and customary manner.
- 2 Defects or damage from misuse, accident, water, or neglect.
- 3 Defects or damage from improper testing, operation, maintenance, installation, alteration, modification, or adjustment.
- 4 Breakage or damage to antennas unless caused directly by defects in material workmanship.
- 5 A Product subjected to unauthorized Product modifications, disassembles or repairs (including, without limitation, the addition to the Product of non-Motorola Solutions supplied equipment) which adversely affect performance of the Product or interfere with Motorola Solutions normal warranty inspection and testing of the Product to verify any warranty claim.
- 6 Product which has had the serial number removed or made illegible.
- 7 Rechargeable batteries if:
 - any of the seals on the battery enclosure of cells are broken or show evidence of tampering.
 - the damage or defect is caused by charging or using the battery in equipment or service other than the Product for which it is specified.
- 8 Freight costs to the repair depot.
- 9 A Product which, due to illegal or unauthorized alteration of the software/firmware in the Product, does not function in accordance with Motorola Solutions published specifications or the FCC certification labeling in effect for the Product at the time the Product was initially distributed from Motorola Solutions.
- 10 Scratches or other cosmetic damage to Product surfaces that does not affect the operation of the Product.
- 11 Normal and customary wear and tear.

VI. PATENT AND SOFTWARE PROVISIONS

Motorola Solutions will defend, at its own expense, any suit brought against the end user purchaser to the extent that it is based on a claim that the Product or parts infringe a United States patent, and Motorola Solutions will pay those costs and damages finally awarded against the end user purchaser in any such suit which are attributable to any such claim, but such defense and payments are conditioned on the following:

- 1 Motorola Solutions will be notified promptly in writing by such purchaser of any notice of such claim,
- 2 Motorola Solutions will have sole control of the defense of such suit and all negotiations for its settlement or compromise, and

- 3 Should the Product or parts become, or in Motorola Solutions opinion be likely to become, the subject of a claim of infringement of a United States patent, that such purchaser will permit Motorola Solutions, at its option and expense, either to procure for such purchaser the right to continue using the Product or parts or to replace or modify the same so that it becomes non-infringing or to grant such purchaser a credit for the Product or parts as depreciated and accept its return. The depreciation will be an equal amount per year over the lifetime of the Product or parts as established by Motorola Solutions.

Motorola Solutions will have no liability with respect to any claim of patent infringement which is based upon the combination of the Product or parts furnished hereunder with software, apparatus or devices not furnished by Motorola Solutions, nor will Motorola Solutions have any liability for the use of ancillary equipment or software not furnished by Motorola Solutions which is attached to or used in connection with the Product. The foregoing states the entire liability of Motorola Solutions with respect to infringement of patents by the Product or any parts thereof.

Laws in the United States and other countries preserve for Motorola Solutions certain exclusive rights for copyrighted Motorola Solutions software such as the exclusive rights to reproduce in copies and distribute copies of such Motorola Solutions software. Motorola Solutions software may be used in only the Product in which the software was originally embodied and such software in such Product may not be replaced, copied, distributed, modified in any way, or used to produce any derivative thereof. No other use including, without limitation, alteration, modification, reproduction, distribution, or reverse engineering of such Motorola Solutions software or exercise of rights in such Motorola Solutions software is permitted. No license is granted by implication, estoppel or otherwise under Motorola Solutions patent rights or copyrights.

VII. GOVERNING LAW

This Warranty is governed by the laws of the State of Illinois, U.S.A.

Table des matières

Liste des figures.....	4
Liste des tableaux.....	5
Chapitre 1 : Notations utilisées dans ce manuel.....	6
Chapitre 2 : Introduction.....	7
2.1 Description de la radio mobile.....	7
2.1.1 Dimensions.....	7
2.1.2 Connexions à l'arrière de la radio.....	8
2.2 Configuration véhicule.....	8
2.3 Stations de base/contrôle pour utilisation à l'intérieur.....	9
Chapitre 3 : Détails d'installation pour les configurations standard.....	11
3.1 Planification de l'installation.....	11
3.1.1 Outils requis pour l'installation.....	11
3.1.2 Exemple d'installation.....	11
3.1.3 Schémas de câblage.....	12
3.2 Montage de la radio.....	14
3.2.1 Montage sur tableau de bord avec tourillon.....	15
3.2.2 Ensemble de verrouillage (en option).....	16
3.2.2.1 Installation de la trousse de verrouillage pour toutes les radios.....	16
3.3 Insertion d'une carte SIM.....	17
3.4 Montage DIN.....	18
3.4.1 Installation du cadre dans le tableau de bord.....	18
3.4.2 Montage de la radio dans le cadre.....	19
3.4.3 Retrait de la radio du cadre.....	20
3.5 Câbles d'alimentation.....	20
3.6 Câble de détection d'allumage.....	21
3.7 Installation de l'antenne.....	21
3.7.1 Installation de l'antenne.....	22
3.8 Pince de fixation de microphone.....	24
3.8.1 Pince de fixation standard.....	25
3.9 Dernières étapes de l'installation.....	25
Chapitre 4 : Installation d'accessoires.....	26
4.1 Installation d'un bouton-poussoir ou d'un interrupteur au pied d'urgence.....	28
4.2 Installation d'un haut-parleur externe.....	29
4.3 Installation d'un haut-parleur externe.....	31
4.4 Installation du microphone pour le pare-soleil.....	31

4.5 Installation du bouton Presser pour Parler (PTT).....	31
Chapitre 5 : Pratiques exemplaires : Installation et dépannage.....	32
5.1 Vérification du câblage de l'allumage et du détecteur d'allumage de la radio.....	32
5.2 Vérification de l'installation physique de la mise à la terre de la radio et du câblage des accessoires de la radio.....	32
5.3 Améliorez la qualité électrique des lignes d'alimentation et d'allumage.....	33
5.4 Démarrage-secours du véhicule.....	33
Annexe A : Commande de pièces de rechange.....	35
Annexe B : Bureaux de Motorola Solutions.....	37
Déclarations juridiques et de conformité.....	39
Sécurité du produit et respect des normes relatives à l'exposition aux radiofréquences.....	39
Droits d'auteur du logiciel.....	39
Avis de non-responsabilité.....	39
Marques de commerce.....	39
Garantie limitée.....	40
PRODUITS DE COMMUNICATIONS MOTOROLA SOLUTIONS.....	40
I. PROTECTION ASSURÉE PAR LA PRÉSENTE GARANTIE ET DURÉE DE CELLE-CI.....	40
II. CONDITIONS GÉNÉRALES.....	40
III. DROITS PRÉVUS PAR LES LOIS PROVINCIALES :	41
IV. RÉPARATION DANS LE CADRE DE LA GARANTIE.....	41
V. CE QUI N'EST PAS COUVERT PAR CETTE GARANTIE.....	41
VI. DISPOSITIONS RELATIVES AUX BREVETS ET AUX LOGICIELS.....	42
VII. LOI APPLICABLE.....	42

Liste des figures

Figure 1 : Vue avant du montage sur tableau de bord avec tourillon	7
Figure 2 : Vue latérale du montage sur tableau de bord avec tourillon à profil bas	7
Figure 3 : Vue arrière de la radio mobile	8
Figure 4 : Configuration véhicule	9
Figure 5 : Exemple de configuration d'une station de base/contrôle pour utilisation à l'intérieur	10
Figure 6 : Configuration type de support de tableau de bord	12
Figure 7 : Installation radio (montage sur tableau de bord)	13
Figure 8 : Orientation du tourillon pour le dessus ou le dessous de la radio mobile	14
Figure 9 : Montage du tourillon sur la bosse de transmission	15
Figure 10 : Montage du tourillon sous le tableau de bord	16
Figure 11 : Ensemble de verrouillage (en option)	17
Figure 12 : Montage au tableau de bord	19
Figure 13 : Schéma d'interconnexion de câblage pour montage sur support sur tableau de bord	21
Figure 14 : Connexions de l'antenne à l'arrière de la radio	22
Figure 15 : Installation de l'antenne GNSS sur le tableau de bord	23
Figure 16 : Installation de l'antenne GNSS à l'intérieur du pare-brise	24
Figure 17 : Emplacement du connecteur d'accessoires arrière	26
Figure 18 : Bloc de connexion pour accessoires à 16 broches	27
Figure 19 : Configuration des broches du connecteur d'accessoires arrière (vue arrière de la radio) ..	27
Figure 20 : Schéma de câblage du commutateur d'urgence	29
Figure 21 : Montage d'un haut-parleur externe	30

Liste des tableaux

Tableau 1 :Fonctions des broches du connecteur d'accessoires arrière	27
Tableau 2 :Bureaux de Motorola Solutions	37

Chapitre 1

Notations utilisées dans ce manuel

En parcourant le texte de ce document, vous remarquerez l'utilisation des mots AVERTISSEMENT, MISE EN GARDE et REMARQUE. Ces notations sont utilisées pour mettre l'accent sur les dangers potentiels et pour encourager les utilisateurs à prendre les précautions qui s'imposent.

**AVERTISSEMENT :**

AVERTISSEMENT indique une situation potentiellement dangereuse qui, si elle n'est pas évitée, pourrait entraîner des blessures graves, voire la mort.

**MISE EN GARDE :**

MISE EN GARDE indique une situation potentiellement dangereuse qui, si elle n'est pas évitée, pourrait endommager l'équipement.

**REMARQUE :**

REMARQUE indique une procédure, une pratique ou une condition de fonctionnement qui doit absolument être précisée.

Chapitre 2

Introduction

Ce manuel traite des procédures d'installation des radios mobiles et des accessoires requis pour compléter le système radio.

2.1

Description de la radio mobile

Ce chapitre présente les dimensions de base du tourillon de montage sur tableau de bord de la radio mobile.

2.1.1

Dimensions

Planifiez soigneusement l'installation de la radio. Laissez de l'espace pour le câblage et les branchements d'accessoires dans l'emplacement d'installation. Utilisez le matériel approprié pour l'installation de la radio dans le tourillon.



REMARQUE :

Sauf indication contraire, l'unité de mesure utilisée est le millimètre.

Figure 1 : Vue avant du montage sur tableau de bord avec tourillon

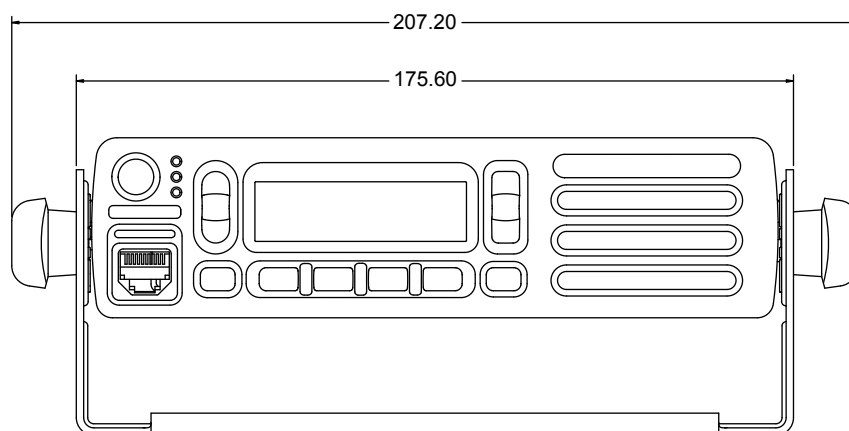
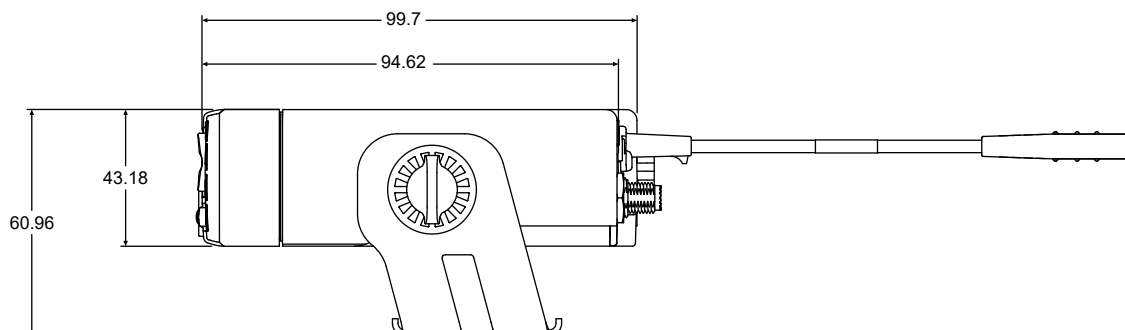


Figure 2 : Vue latérale du montage sur tableau de bord avec tourillon à profil bas



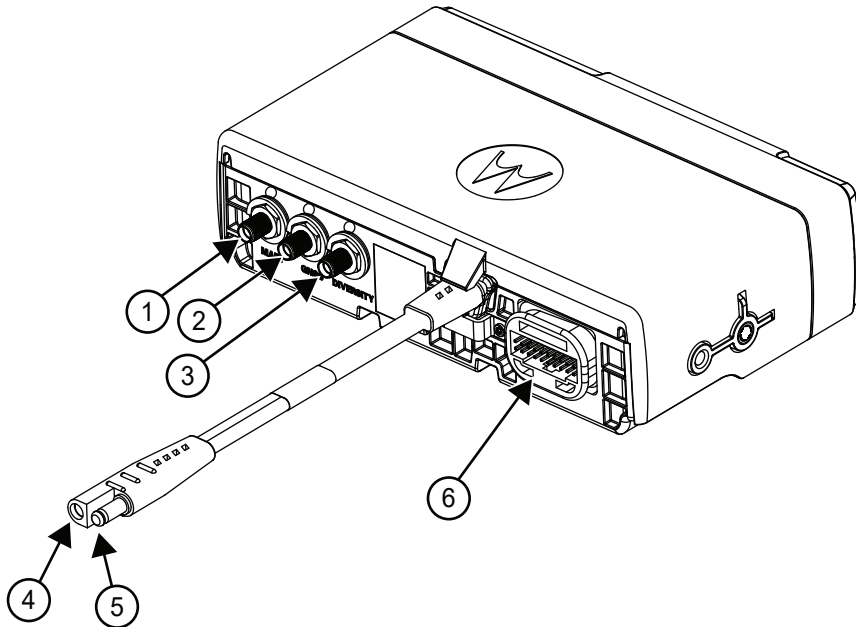
2.1.2

Connexions à l'arrière de la radio

La figure suivante montre les connexions qui se trouvent à l'arrière de la radio.

Pour obtenir la configuration complète des broches du connecteur d'accessoires arrière, reportez-vous à la section « Configuration des broches du connecteur d'accessoires arrière ».

Figure 3 : Vue arrière de la radio mobile



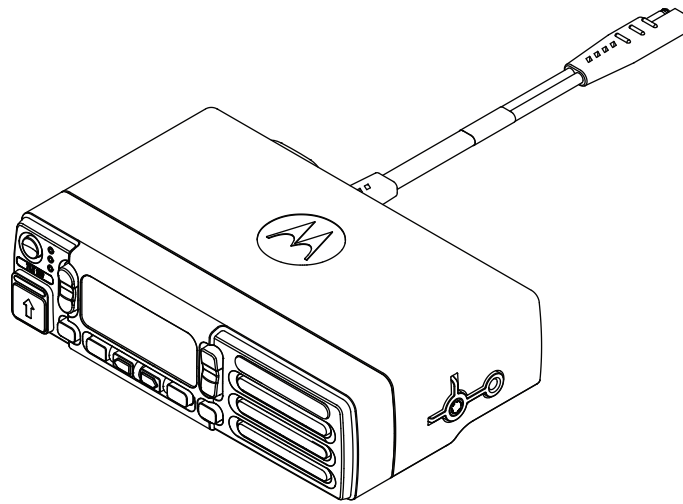
Repère	Description
1	Connecteur d'antenne principale LTE (rouge)
2	Connecteur d'antenne de diversité LTE (bleu)
3	Connecteur d'antenne GNSS (jaune)
4	Batterie-
5	Batterie+
6	Connecteur d'accessoires arrière

2.2

Configuration véhicule

La tête de commande radio est montée à l'avant du boîtier de l'émetteur-récepteur. La connexion électrique entre les deux se fait à l'intérieur de la radio au moyen d'un câble flexible entre les connecteurs à l'avant de l'émetteur-récepteur et à l'arrière de la tête de commande.

Figure 4 : Configuration véhicule



Pour plus d'informations sur la configuration du casque, reportez-vous à [Exemple d'installation à la page 11](#) .

2.3

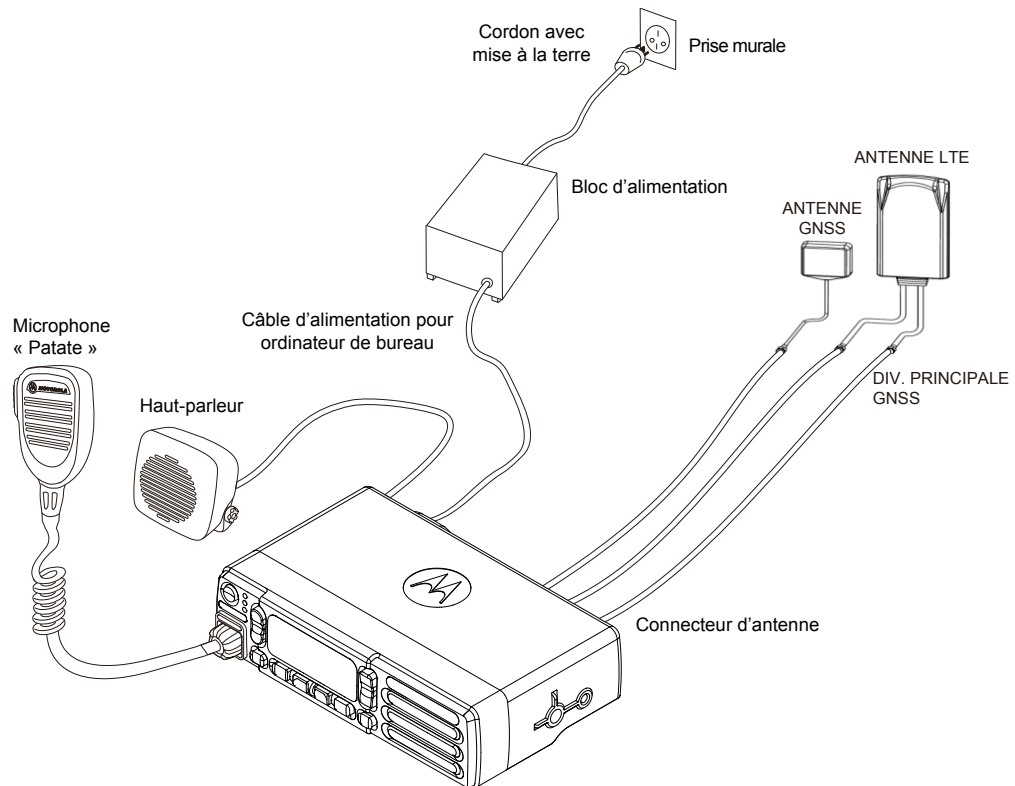
Stations de base/contrôle pour utilisation à l'intérieur

Nous devons nous assurer que les limites de performance optimale et d'exposition à l'énergie RF sont conformes aux normes et aux directives qui se trouvent dans la brochure sur la sécurité.

Si de l'équipement de radio mobile est installé dans un emplacement fixe et utilisé comme station de contrôle ou comme unité fixe à l'intérieur, l'installation de la radio et de l'antenne doit satisfaire aux exigences suivantes.

- La tension de secteur du cordon d'alimentation doit être correctement reliée à la terre.
- Il incombe au détenteur de la licence de gérer toutes les installations d'antennes à emplacement fixe conformément à tous les règlements en vigueur.

Figure 5 : Exemple de configuration d'une station de base/contrôle pour utilisation à l'intérieur



Chapitre 3

Détails d'installation pour les configurations standard

La radio mobile fonctionne uniquement dans les systèmes électriques avec prise de masse de polarité négative.

Avant de commencer l'installation de la radio, assurez-vous que la polarité de mise à la masse du véhicule est correcte. L'inversion accidentelle de la polarité n'endommagerait pas la radio, mais ferait sauter les fusibles du câble.

3.1

Planification de l'installation

La planification est l'élément clé pour une installation facile et rapide de la radio. Avant de commencer l'installation, inspectez le véhicule et déterminez où et comment vous prévoyez fixer l'antenne, la radio et les accessoires.

Planifiez l'acheminement des fils et des câbles pour éviter le plus possible les risques de pincement, d'écrasement et de surchauffe.



MISE EN GARDE :

Avant d'installer de l'équipement électrique, consultez la section des avertissements et des recommandations du manuel du fabricant du véhicule.

L'installation de cet appareil doit être effectuée par un installateur ou un réparateur agréé. Si l'appareil n'est pas installé correctement, il pourrait mal fonctionner ou être endommagé.

3.1.1

Outils requis pour l'installation

Le tableau suivant présente les outils requis pour l'installation.

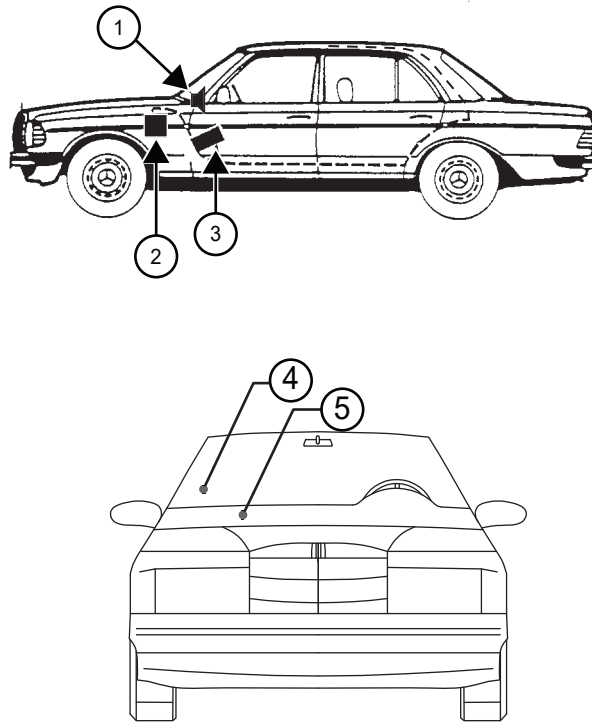
- Pince recouverte de caoutchouc
- Tournevis cruciforme ordinaire ou Philips n° 2
- Outil de retrait de broche
- Clé hexagonale ¼
- Clé hexagonale 11/32

3.1.2

Exemple d'installation

La radio bidirectionnelle mobile peut être installée de différentes façons et des accessoires peuvent être ajoutés dans le véhicule selon les besoins.

La radio ne peut être installée que dans un tableau de bord.

Figure 6 : Configuration type de support de tableau de bord

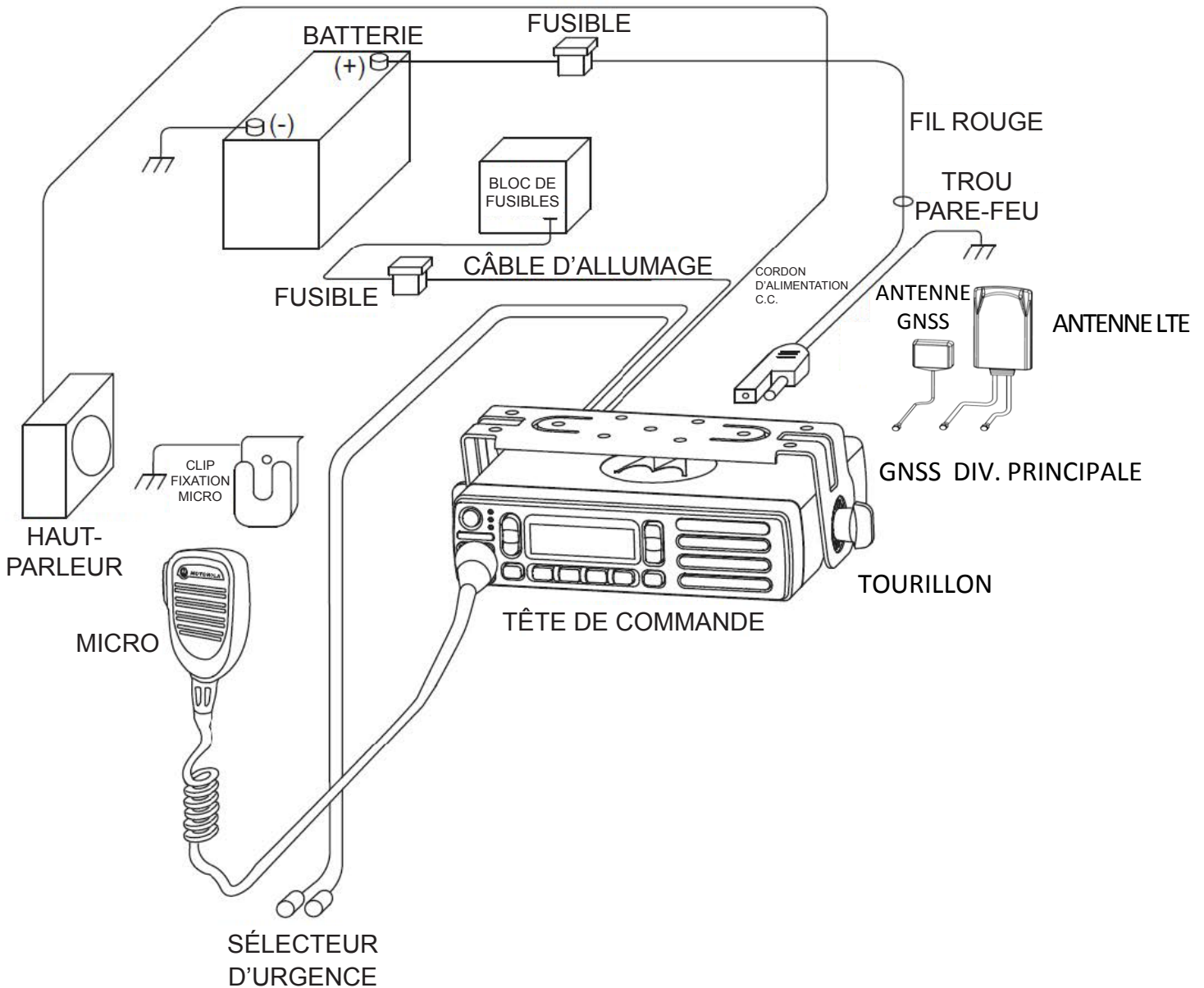
Étiquette	Description
1	Antenne d'une longueur d'un quart d'onde
2	Haut-parleur
3	Batterie
4	Emplacement d'installation de l'antenne (à l'intérieur du pare-brise)
5	Emplacement de l'installation de l'antenne (au-dessus de la carte du tableau de bord)

3.1.3

Schémas de câblage

Identifiez la configuration que vous installez et utilisez le schéma de câblage lors de la planification de l'installation.

Figure 7 : Installation radio (montage sur tableau de bord)

**REMARQUE :**

Pour connaître la configuration complète des broches du connecteur d'accessoires arrière, voir [Installation d'accessoires à la page 26](#).

3.2

Montage de la radio

**MISE EN GARDE :**

Ne montez pas la radio sur un tableau de bord en plastique sans d'abord renforcer le tableau de bord; le poids de la radio pourrait le fissurer ou le briser.

N'installez pas la radio sur une surface plate ou concave où elle pourrait être immergée dans l'eau. Ceci est particulièrement important si la zone de la cabine du véhicule est nettoyée par vaporisation d'eau. Si la radio est immergée dans l'eau pendant un certain temps, l'humidité peut pénétrer à l'intérieur de la radio et endommager les composants électroniques.

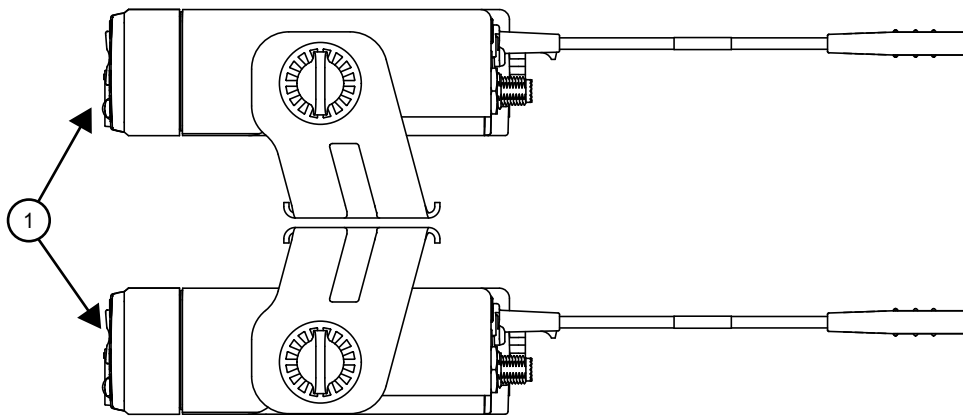
Ne laissez pas d'eau stagner dans les zones en retrait des radios montées à la verticale. Éliminez immédiatement toute trace d'humidité pour éviter l'infiltration dans la radio.

L'emplacement de montage doit être accessible et visible. Choisissez un endroit qui permet d'acheminer le câble de l'antenne RF de la façon la plus directe possible.

Pour les installations nouvelles ou existantes, utilisez l'une des trousse de fixation mentionnées dans le tableau ci-dessous. Orientez le tourillon de fixation.

Trousse de fixation	Numéro de pièce Motorola Solutions
Matériel de fixation par tourillons à profil bas	RLN6466_
Matériel de fixation par tourillons standard	RLN6467_
Ensemble de fixation du verrouillage par tourillons	RLN6468_
Montage DIN	FTN6083_

Figure 8 : Orientation du tourillon pour le dessus ou le dessous de la radio mobile



Étiquette	Description
1	Devant de la radio

3.2.1

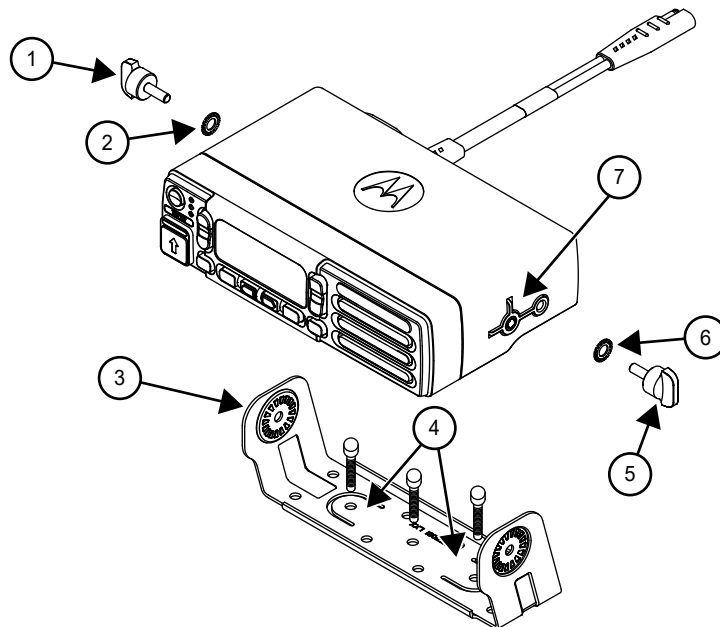
Montage sur tableau de bord avec tourillon**Procédure :**

- 1 Sélectionnez l'emplacement de montage de la radio sur la bosse de transmission ou sous le tableau de bord.

**REMARQUE :**

Lorsque vous montez le tourillon sur la bosse de transmission, prenez soin de ne pas endommager le boîtier de la transmission.

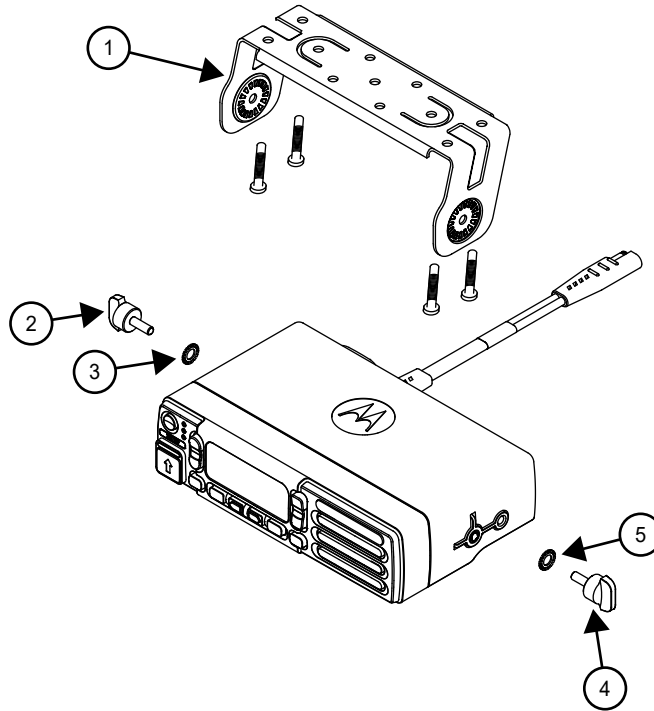
- 2 En utilisant le support de montage du tourillon comme gabarit, marquez les positions des trous sur la surface de montage. Utilisez les quatre trous les plus à l'intérieur pour une surface de montage incurvée comme la bosse de transmission et les quatre trous les plus à l'extérieur pour une surface plate comme le dessous du tableau de bord.
- 3 Centrez au pointeau les points que vous avez marqués, puis réalignez le tourillon dans la position désirée.
- 4 Fixez le support du tourillon à l'aide des quatre vis autoperceuses fournies. Le nombre de vis utilisées dépendra de la façon dont la radio est montée.
- 5 Positionnez la radio de manière à aligner le tourillon avec les dispositifs de montage prévus à cet effet sur la radio. Fixez la radio avec les deux vis à oreilles et les rondelles de blocage fournies (placez le côté plat de la rondelle sur la vis à oreilles et le côté tranchant de la rondelle sur le tourillon).

Figure 9 : Montage du tourillon sur la bosse de transmission

Étiquette	Description
1	Vis à oreilles
2	Rondelle de blocage
3	Tourillon
4	Pattes

Étiquette	Description
5	Vis à oreilles
6	Rondelle de blocage
7	Trou fileté pour vis à oreilles

Figure 10 : Montage du tourillon sous le tableau de bord



Étiquette	Description
1	Tourillon
2 et 4	Vis à oreilles
3 et 5	Rondelle de blocage

3.2.2

Ensemble de verrouillage (en option)

Si vous utilisez un ensemble de verrouillage en option, reportez-vous aux étapes suivantes pour installer la trousse de verrouillage pour tous les types de radio.

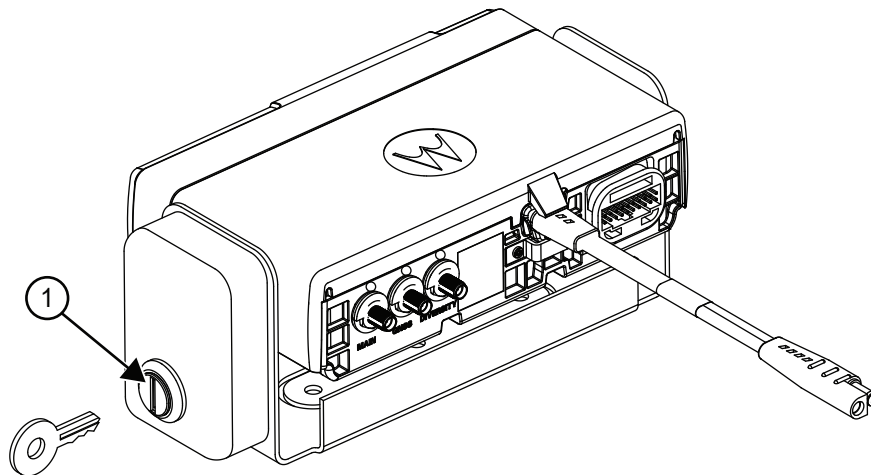
3.2.2.1

Installation de la trousse de verrouillage pour toutes les radios

Procédure :

- 1 Placer le boîtier de verrouillage inférieur sur le tourillon avant d'installer les vis de montage de la radio.
- 2 Glissez-y ensuite le boîtier de verrouillage supérieur et retirez la clé.
- 3 Vous pouvez installer le verrou d'un côté ou de l'autre de la radio.

Figure 11 : Ensemble de verrouillage (en option)

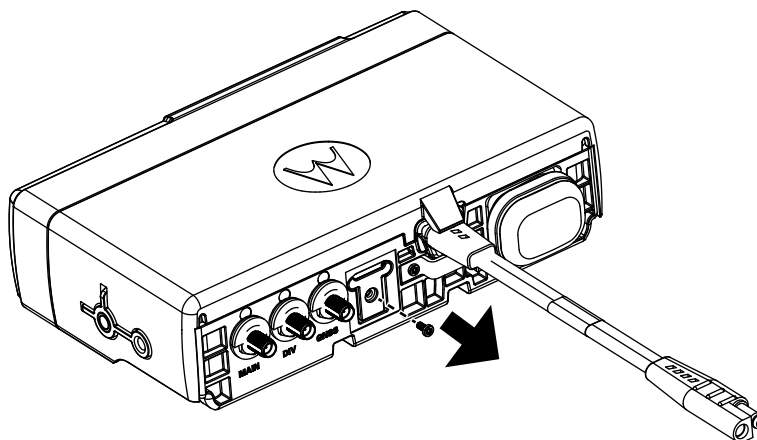


Étiquette	Description
1	Verrou

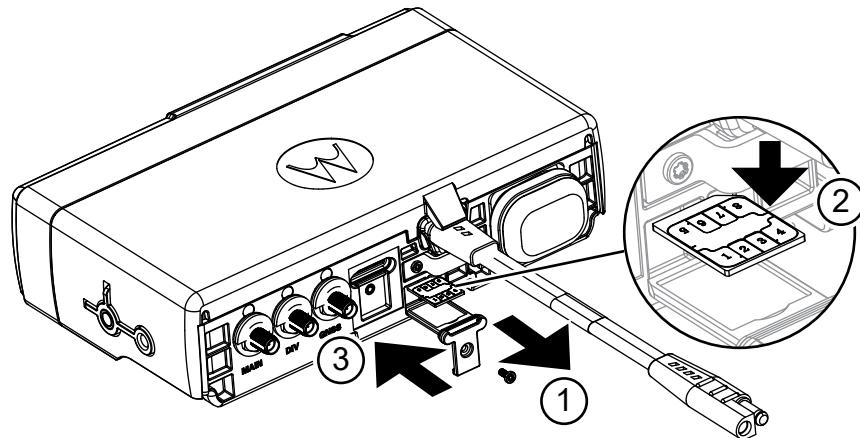
3.3

Insertion d'une carte SIM**Procédure :**

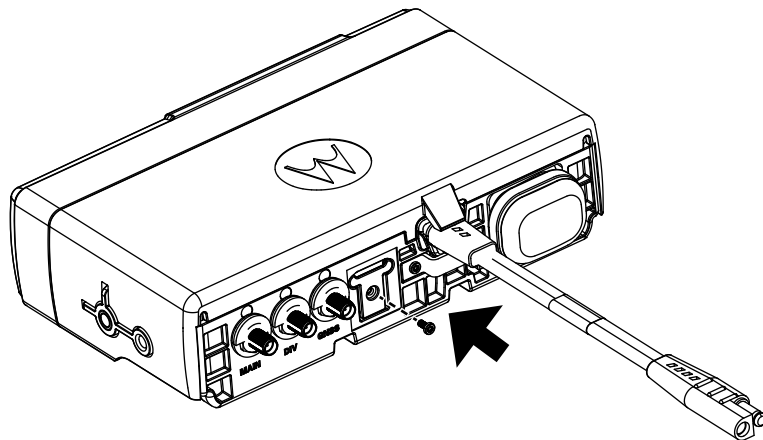
- 1 Dévissez le port de carte SIM à l'aide d'un tournevis.



- 2 Faites glisser la carte SIM dans le port de carte SIM.
- 3 Insérez le port de carte SIM dans la radio.



- 4 Vissez le port de carte SIM à l'aide d'un tournevis.



3.4

Montage DIN

Ce chapitre explique les étapes à suivre pour installer, monter et retirer le cadre de montage.

3.4.1

Installation du cadre dans le tableau de bord

Procédure :

- 1 Ouvrez la découpe de la radio dans le tableau de bord selon la norme ISO7736 (182 mm x 53 mm).

- 2 Insérez le cadre de montage dans la découpe et retenez-le en pliant les pattes de fixation pertinentes (en utilisant les six, si possible). Assurez-vous que l'orientation du cadre est correcte en vous assurant que le mot « TOP » se trouve sur le dessus.



REMARQUE :

Les pattes se courbent facilement vers l'arrière en faisant tourner un grand tournevis à tête plate dans la fente à l'arrière des pattes.

Pour une installation plus sûre, le cadre doit aussi être fixé avec le nombre approprié de vis en fonction des conditions de montage (au moins une).

L'outil de démontage peut être utilisé pour aider au montage autant qu'au démontage.

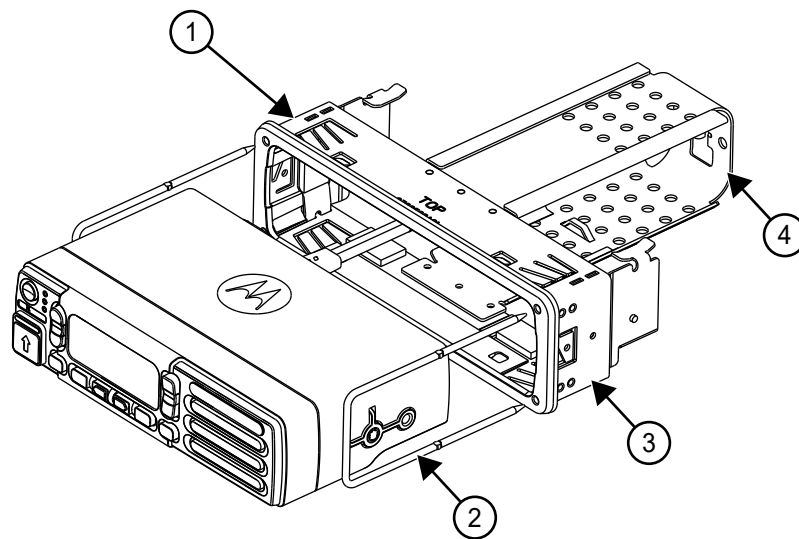
3.4.2

Montage de la radio dans le cadre

Procédure :

- 1 Installez les connexions électriques de la radio (alimentation, antenne, accessoires).
- 2 Branchez tous les connecteurs et poussez fermement la radio dans le cadre de montage jusqu'à ce que les deux ressorts s'insèrent en place.

Figure 12 : Montage au tableau de bord



Étiquette	Description
1	Pattes de fixation
2	Outil de démontage
3	Montage DIN
4	Insérer les vis ici pour fixer le cadre

3.4.3

Retrait de la radio du cadre

Procédure :

- 1 Poussez les deux outils de démontage dans les ouvertures du cadre jusqu'à ce que les deux ressorts dégagent la radio.
- 2 Faites glisser la radio hors du cadre.

**REMARQUE :**

Si la radio ne peut pas être retirée, poussez les deux outils de démontage vers l'intérieur.

Le serrage des pattes de fixation doit être vérifié chaque fois que la radio est retirée. Les pattes sont faciles à serrer en faisant tourner un grand tournevis à tête plate dans la fente à l'arrière des pattes.

Le cadre n'est pas conçu pour un montage et un démontage fréquents.

3.5

Câbles d'alimentation

Acheminez le câble d'alimentation rouge de la radio au compartiment de la batterie du véhicule, en utilisant les méthodes et les normes acceptées par l'industrie. Assurez-vous d'insérer un passe-fil dans le trou pare-feu afin de protéger le câble.

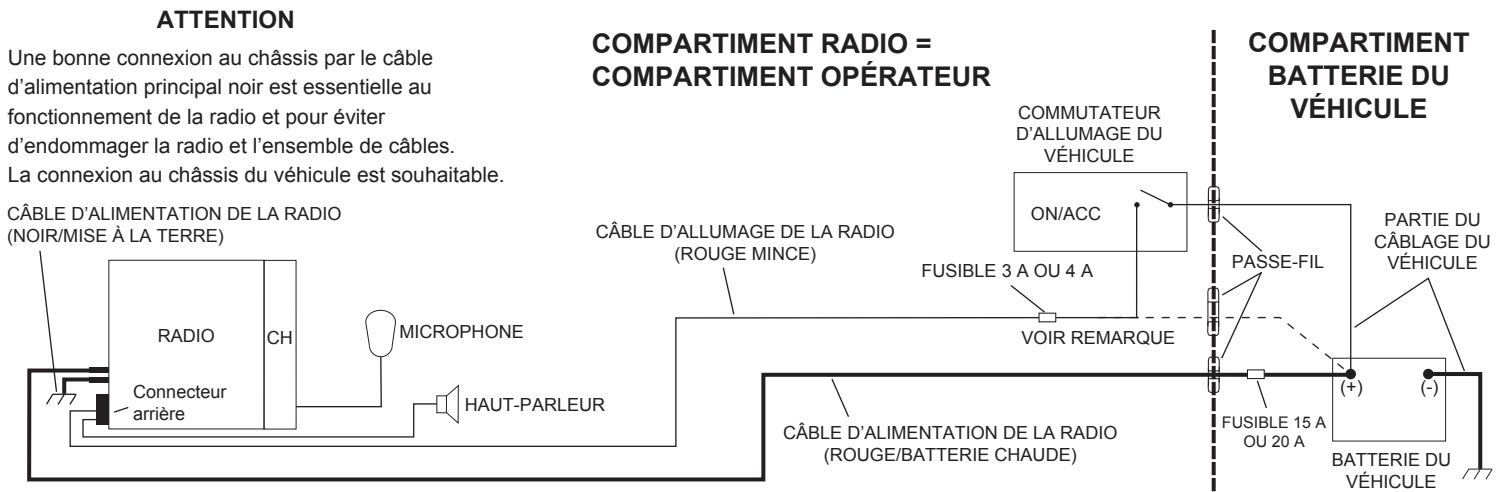
Retirez le fusible de 15 ampères du porte-fusible et connectez le fil rouge du câble d'alimentation de la radio à la borne positive de la batterie en utilisant le matériel fourni.

Reliez le fil noir à un point de mise à la terre pratique sur le châssis solide. Ne branchez pas le fil noir directement à la borne négative de la batterie.

**REMARQUE :**

La tension de fonctionnement nominale de la radio pour l'installation d'un véhicule de 12 V est de 13,2 V C.C. avec une plage de tension de fonctionnement de 10,8 à 15,6 V.

La tension de fonctionnement nominale de la radio pour l'installation d'un véhicule de 24 V est de 27,6 V C.C. avec une plage de tension de fonctionnement de 22,1 V à 33,1 V.

Figure 13 : Schéma d'interconnexion de câblage pour montage sur support sur tableau de bord**REMARQUE :**

Mise en garde : Si vous choisissez de brancher la ligne D'ALLUMAGE de la radio directement à la batterie de la voiture, une utilisation excessive de la radio lorsque le contact du véhicule n'est pas en marche (c.-à-d. que l'alternateur fonctionne) peut entraîner une décharge lente de la batterie de la voiture. Cette configuration permet à la radio de fonctionner avec le contacteur d'allumage de la voiture allumé ou éteint.

Si la ligne D'ALLUMAGE de la radio est câblée au commutateur d'allumage de la voiture, assurez-vous que la radio est configurée sur Wave on Cloud (WoC) pour utiliser l'alimentation ou l'allumage pour allumer ou éteindre la radio

3.6**Câble de détection d'allumage**

Motorola Solutions fournit un câble de détection d'allumage et recommande de l'utiliser avec toutes les installations mobiles. Le câble de détection d'allumage permet d'allumer et d'éteindre la radio au moyen du commutateur d'allumage du véhicule.

Pour commander la radio MARCHÉ/ARRÊT au moyen du commutateur d'allumage, branchez le câble d'allumage rouge à « Allumage » dans le bloc-fusibles.

Le câble de détection d'allumage nécessite un fusible de 3 A.

3.7**Installation de l'antenne****REMARQUE :**

Pour respecter les normes de sécurité relatives aux radiofréquences, assurez-vous que l'antenne LTE est installée à au moins 20 cm des passagers ou des passants.

3.7.1

Installation de l'antenne**MISE EN GARDE :**

Lors de l'installation de l'antenne, assurez-vous que celle-ci ne gêne pas la conduite et qu'elle n'interfère pas avec le déploiement des coussins gonflables.

**REMARQUE :**

N'installez pas l'antenne LTE ni l'antenne GNSS à l'extérieur du véhicule.

Procédure :

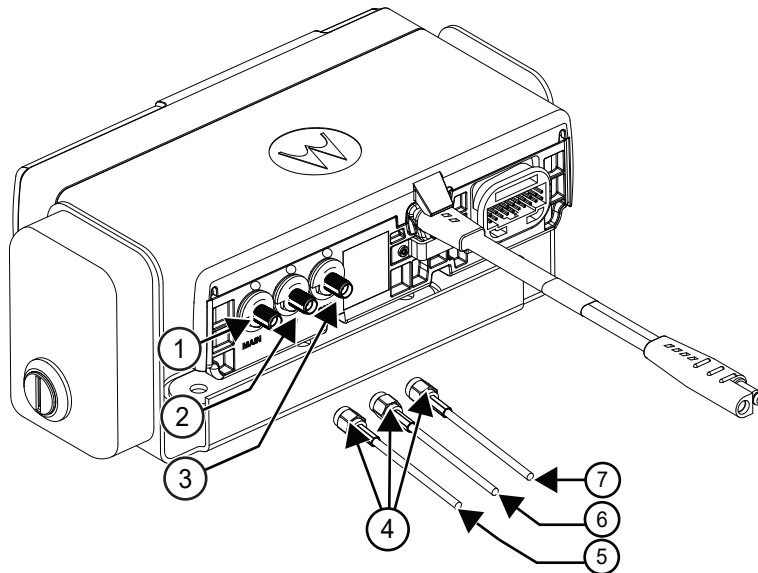
- 1 Montez l'antenne selon les instructions fournies avec l'ensemble pour antenne. Acheminez le câble coaxial à l'emplacement de montage de la radio.

**REMARQUE :**

N'installez pas l'antenne sur une surface métallique.

- 2 Branchez le connecteur du câble de l'antenne sur le connecteur de l'antenne radio à l'arrière de la radio.

Figure 14 : Connexions de l'antenne à l'arrière de la radio



Étiquette	Description
1	Connecteur d'antenne principale LTE (rouge)
2	Connecteur d'antenne de diversité LTE (bleu)
3	Connecteur d'antenne GNSS (jaune)
4	Prise pour câble d'antenne
5	Câble d'antenne principale
6	Câble d'antenne de diversité
7	Câble d'antenne GNSS

- 3 Connectez les deux ports d'antenne LTE, l'antenne principale et l'antenne de diversité, au connecteur SMA de l'antenne principale (rouge) et au connecteur SMA de l'antenne de diversité (bleu) respectivement.

- 4 Connectez l'antenne GNSS au connecteur SMA de l'antenne GPS (jaune) à l'arrière de la radio.
- 5 Pour installer l'antenne LTE, retirez la couche protectrice de l'adhésif de la surface du pied de l'antenne et collez-la sur le tableau de bord ou sur la paroi intérieure du pare-brise.
- 6 Pour installer l'antenne GNSS, effectuez l'une des actions suivantes :

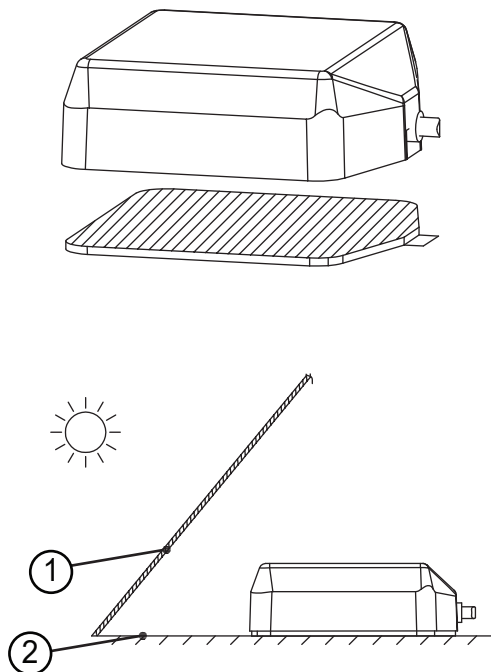
**REMARQUE :**

Assurez-vous que l'antenne LTE et l'antenne GNSS sont à 30 cm de distance.

Vous pouvez installer l'antenne sur le tableau de bord ou sur la paroi intérieure du pare-brise.

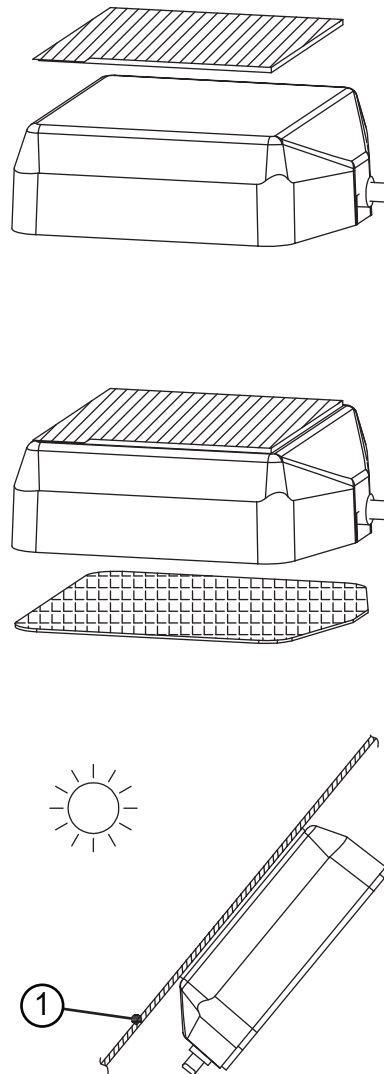
- Si vous souhaitez installer l'antenne GNSS sur le tableau de bord, fixez le film adhésif (rouge) sur la surface inférieure de l'antenne. Retirez la couche protectrice du film adhésif (rouge) et collez l'antenne sur le tableau de bord.

Figure 15 : Installation de l'antenne GNSS sur le tableau de bord




Étiquette	Description
1	Pare-brise
2	Tableau de bord


- Pour installer l'antenne GNSS sur la paroi intérieure du pare-brise, fixez le film adhésif (rouge) sur la face supérieure de l'antenne, et le film décoratif (noir) sur la face inférieure de l'antenne. Retirez la couche protectrice du film adhésif (rouge) et collez l'antenne sur le pare-brise.

Figure 16 : Installation de l'antenne GNSS à l'intérieur du pare-brise

Étiquette	Description
1	Pare-brise

 **REMARQUE :**
Assurez-vous que l'antenne est solidement fixée à la surface.

7 Serrez le connecteur du câble de l'antenne à la main.

 **REMARQUE :**
N'utilisez pas de pince ni aucun autre outil métallique.

3.8

Pince de fixation de microphone

Ce chapitre explique l'utilisation de la pince de suspension standard.

3.8.1

Pince de fixation standard

La pince de fixation doit être à la portée de l'opérateur. Mesurez cette distance avant d'installer le support. Comme le support est doté d'un mécanisme à détente positive, le microphone peut être monté dans n'importe quelle position. La pince de fixation du microphone doit être mise à la terre.

Servez-vous de la pince de fixation comme gabarit pour localiser les trous de montage. Pour éviter toute interférence lors de retrait du microphone, installez une vis à tête plate sur le trou supérieur de la pince.

3.9

Dernières étapes de l'installation

Branchez les fils électriques et le câble du microphone à la radio mobile pour compléter l'installation.

Chapitre 4

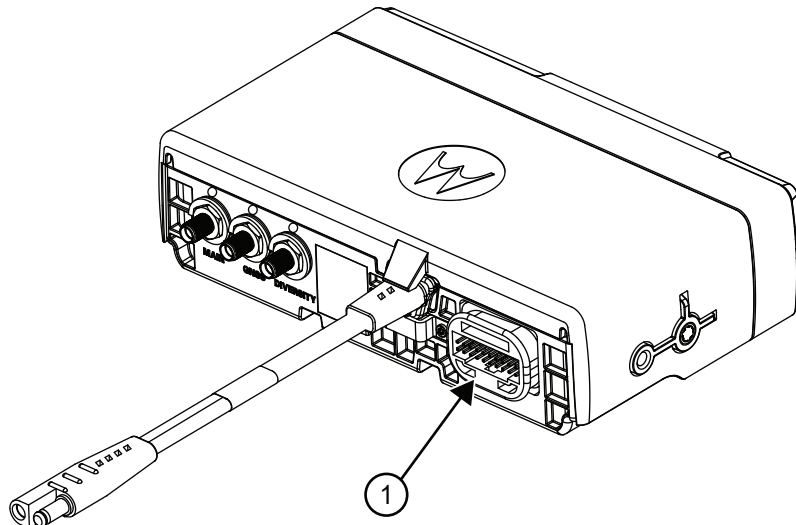
Installation d'accessoires

Les accessoires doivent être installés au moyen du connecteur d'accessoires situé à l'arrière de la radio, à côté du connecteur d'alimentation.

Connectez les accessoires TLK 150 approuvés au connecteur du port pour accessoires mobiles (MAP) arrière à l'aide de l'ensemble de connecteurs MAP à 16 broches (HLN9457_). Le bloc de connexion pour accessoires protège les broches contre les courts-circuits. La plupart des accessoires approuvés par Motorola Solutions sont fournis avec des bornes femelles spécialement conçues pour s'adapter au bloc de connexion pour accessoires.

Insérez la borne femelle de l'accessoire à l'endroit approprié sur le bloc de connexion pour accessoires, comme illustré dans la configuration des broches du connecteur d'accessoires arrière (vu de l'arrière de la radio). Éteignez votre radio et débranchez le câble d'alimentation. Branchez le bloc de connexion pour accessoires au connecteur MAP arrière. Assurez-vous que tous les accessoires et câbles sont bien branchés. Enfin, branchez le câble d'alimentation.

Figure 17 : Emplacement du connecteur d'accessoires arrière



Étiquette	Description
1	Connecteur MAP arrière

Figure 18 : Bloc de connexion pour accessoires à 16 broches

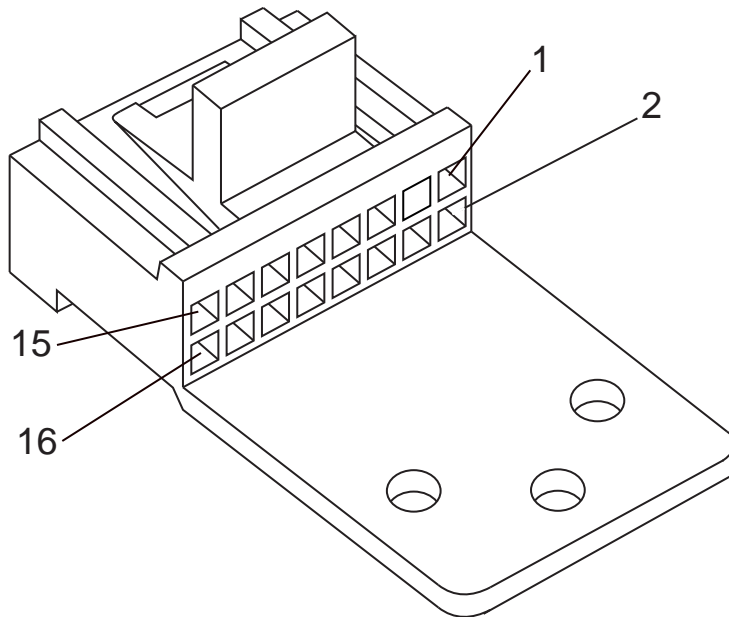


Figure 19 : Configuration des broches du connecteur d'accessoires arrière (vue arrière de la radio)

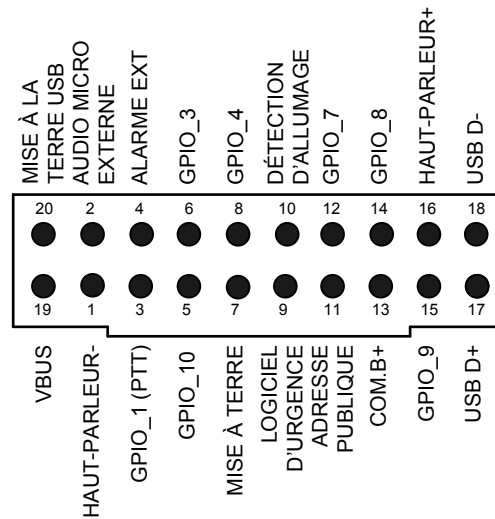


Tableau 1 : Fonctions des broches du connecteur d'accessoires arrière

N° broche	Nom de la broche	Fonction de la broche
1	Haut-parleur-	Haut-parleur – (impédance minimale de 3,2 Ω)
2	Audio microphone externe	Entrée pour microphone externe arrière
3	GPIO-1 (PTT)	GPIO 5 V, entrée PTT ¹

N° broche	Nom de la broche	Fonction de la broche
4	Alarme externe	Réservée pour de futurs accessoires pris en charge et approuvés.
5	GPIO_10	Réservée pour de futurs accessoires pris en charge et approuvés.
6	GPIO_3	GPIO 5 V, détection de microphone externe ²
7	Mise à la terre	Mise à la terre
8	GPIO_4	Réservée pour de futurs accessoires pris en charge et approuvés.
9	Logiciel d'urgence	Entrée d'interrupteur d'urgence
10	Détection d'allumage	Entrée de détection d'allumage ³
11	Diffusion publique	Sortie audio pour haut-parleur externe.
12	GPIO_7	Réservée pour de futurs accessoires pris en charge et approuvés.
13	SWB+	Réservée pour de futurs accessoires pris en charge et approuvés.
14	GPIO_8	Réservée pour de futurs accessoires pris en charge et approuvés.
15	GPIO_9	Détection de haut-parleur externe, GPIO 5 V ⁴
16	Haut-parleur+	Haut-parleur + (impédance minimale de 3,2 Ω)
17	USB D+	Données Universal Serial Bus + ⁵
18	USB D-	Données Universal Serial Bus - ⁵
19	VBUS	Alimentation USB (5 V du câble USB) ⁵
20	Mise à la terre USB	Mise à la terre Universal Serial Bus

4.1

Installation d'un bouton-poussoir ou d'un interrupteur au pied d'urgence


Installez le bouton-poussoir (numéro de pièce Motorola Solutions RLN4857) ou l'interrupteur au pied (numéro de pièce Motorola Solutions RLN4836_R) d'urgence à l'aide du matériel fourni avec la trousse. Enfoncez la borne dans le boîtier du connecteur d'accessoires. Connectez les fils du

¹ La mise à la terre de cette ligne active l'entrée audio du microphone externe.

² La broche GPIO_3 doit être mise à la terre si le microphone de visière externe est connecté.

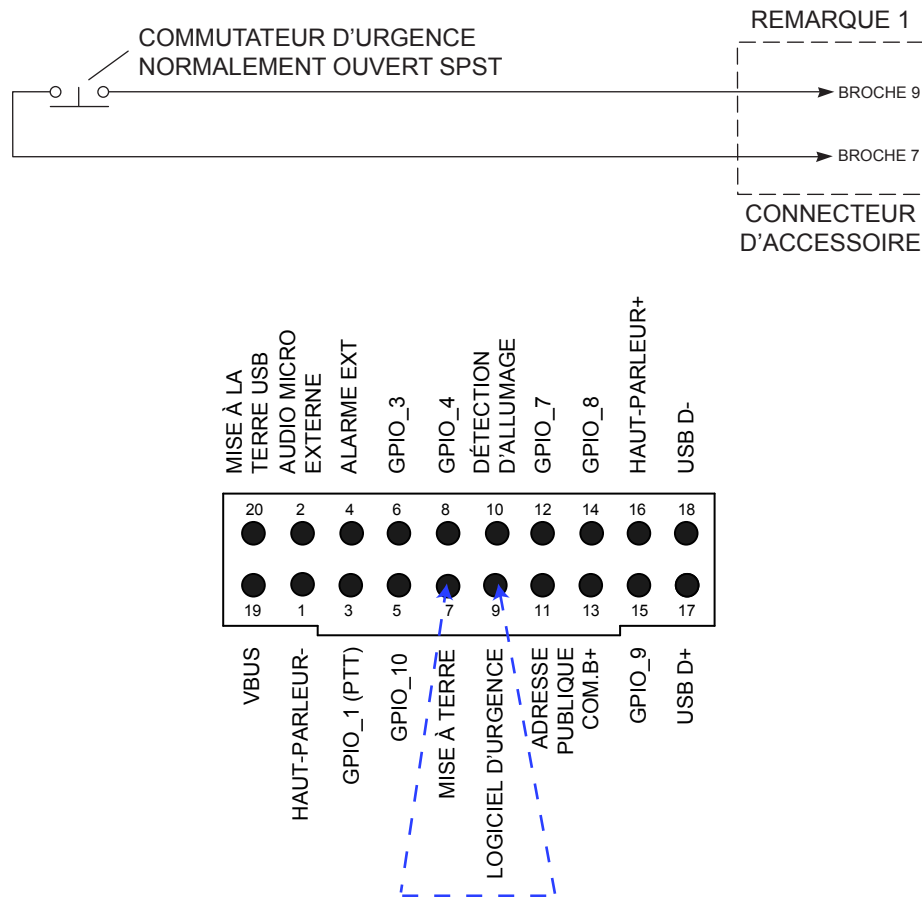
³ Voir les chapitres *Schémas de câblage* et *Câble d'alimentation* pour des informations sur le câblage.

⁴ La broche GPIO_9 doit être mise à la terre si le haut-parleur externe est connecté.

⁵  **MISE EN GARDE :**
Appliquer plus de 5 V à la broche peut endommager le circuit.

commutateur d'urgence aux broches 9 et 7. Acheminez le câble fini de l'emplacement du commutateur à l'emplacement de la tête de commande.

Figure 20 : Schéma de câblage du commutateur d'urgence



4.2

Installation d'un haut-parleur externe

La trousse de haut-parleur externe comprend un support de tourillon qui permet de monter le haut-parleur de diverses façons.

Préalables :



MISE EN GARDE :

Ne mettez pas à la terre les fils du haut-parleur de la radio. Ce système est doté d'une sortie de haut-parleur flottante (tension c.c. sur les deux fils). Une mise à la terre ou un raccourcissement des deux fils risquerait d'endommager le circuit audio.

Où et quand utiliser :

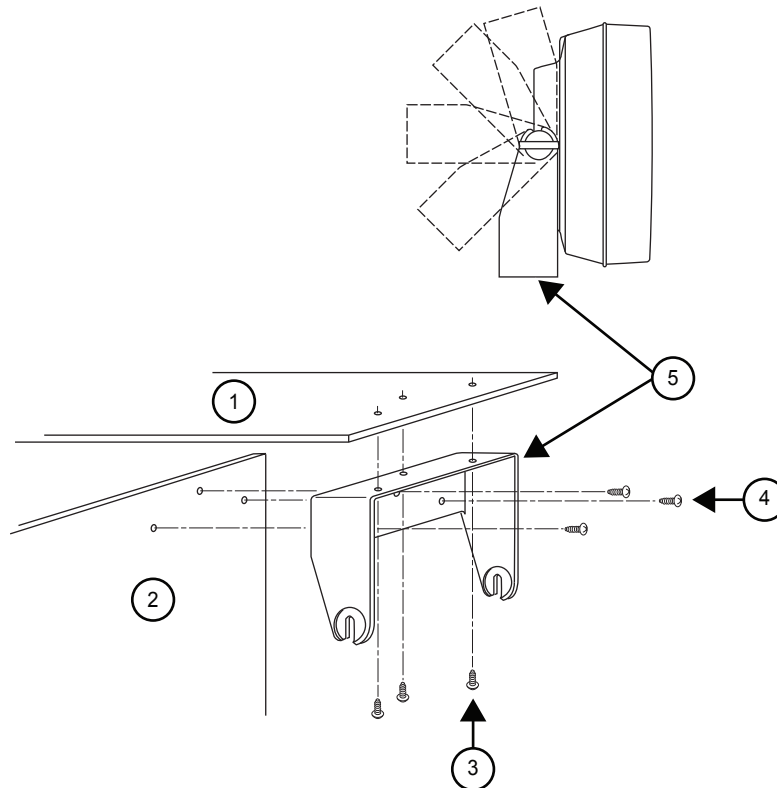
Avec le support de fixation, le haut-parleur externe peut être fixé en permanence sur le tableau de bord ou dans des zones accessibles de pare-feu. Le tourillon permet d'incliner le haut-parleur externe pour un meilleur fonctionnement. Installez le haut-parleur externe à l'écart, de façon à ce que les occupants du véhicule ne l'atteignent pas avec le pied ou autrement.

Procédure :

- 1 Servez-vous du support de fixation du haut-parleur externe comme gabarit pour marquer l'emplacement des trous de montage.

- 2 Utilisez les vis autoperceuses fournies pour fixer le tourillon.
- 3 Installez le haut-parleur externe et fixez-le au tourillon à l'aide de deux vis à oreilles.
- 4 Acheminez les fils du haut-parleur sous le tapis ou revêtement de plancher, ou derrière les panneaux de seuil de portière. Vérifiez que les fils sont bien retenus à l'écart et qu'ils ne risquent pas d'être accrochés ou brisés par les occupants du véhicule.

Figure 21 : Montage d'un haut-parleur externe



Étiquette	Description
1	Tableau de bord
2	Pare-feu
3	Peut être installé de manière permanente sur le tableau de bord.
4	Peut être installé de manière permanente dans les zones de pare-feu.
5	Support de tourillon

4.3

Installation d'un haut-parleur externe

Où et quand utiliser :

Le haut-parleur externe (numéro de pièce Motorola Solutions AC000240A01_) se connecte à l'ensemble de connecteurs MAP 16 broches (numéro de pièce Motorola Solutions HLN9457_).

Procédure :

- 1 Connectez deux fils avec contact serti à la broche 16 (haut-parleur+) et à la broche 1 (haut-parleur-). La polarité n'est pas importante.
- 2 Connectez la broche 15 (GPIO_9) à la broche 7 (mise à la terre) pour la détection des haut-parleurs externes.
- 3 Branchez l'ensemble de connecteurs MAP 16 broches au centre du connecteur de port d'accessoire mobile arrière (MAP).

4.4

Installation du microphone pour le pare-soleil

Où et quand utiliser :

Le microphone de pare-soleil (numéro de pièce Motorola Solutions GMMN4065_) se connecte à l'ensemble de connecteurs MAP 16 broches (numéro de pièce Motorola Solutions HLN9457_).

Procédure :

- 1 Branchez le fil de connexion blanc avec le contact serti à la broche 2 (audio du microphone ext.).
- 2 Raccordez le fil de mise à la terre à la broche 7 (mise à la terre) à l'aide d'un contact serti.
- 3 Branchez la broche 6 (GPIO_3) à la broche 7 (mise à la terre) pour la détection externe du microphone.
- 4 Branchez l'ensemble de connecteurs MAP 16 broches au centre du connecteur de port d'accessoire mobile arrière (MAP).

4.5

Installation du bouton Presser pour Parler (PTT)

Où et quand utiliser :

L'interrupteur au pied à distance PTT (numéro de pièce Motorola Solutions RLN4856_) ou le câble à bouton-poussoir pour montage à distance PTT (numéro de pièce Motorola Solutions RLN4857_) se connecte à l'ensemble de connecteurs MAP 16 broches (numéro de pièce Motorola Solutions HLN9457_).

Procédure :

- 1 Connectez le fil du contact serti à la broche 3 (GPIO-1).
- 2 Mettez à la terre le fil dont le contact est serti à la broche 7 (mise à la terre).
- 3 Branchez la broche 6 (GPIO_3) à la broche 7 (mise à la terre) pour la détection externe du microphone.
- 4 Branchez l'ensemble de connecteurs MAP 16 broches au centre du connecteur de port d'accessoire mobile arrière (MAP).

Chapitre 5

Pratiques exemplaires : Installation et dépannage

Cette section présente les pratiques recommandées par Motorola Solutions pour l'installation sur un véhicule afin de régler ou de prévenir de nombreux problèmes, dont les suivants :

- Dommages aux circuits de la radio dus à une surtension
- Blocage de la radio ou des accessoires
- Changement d'état de verrouillage de la radio ou des accessoires lorsque la touche PTT de la radio est enfoncée
- Réinitialisation intermittente de la radio
- Gémissement de l'alternateur lors de la transmission lorsque le moteur tourne
- Radio ou accessoires s'allumant ou s'éteignant d'eux-mêmes
- La radio envoie de fausses alertes d'urgence au démarrage du véhicule ou pendant l'entretien de la batterie

5.1

Vérification du câblage de l'allumage et du détecteur d'allumage de la radio

- S'il est nécessaire de pouvoir allumer et éteindre la radio au moyen de l'interrupteur du détecteur d'allumage en plus de l'interrupteur marche/arrêt de la tête de commande, connectez le fil du détecteur d'allumage à la borne d'accessoire du commutateur d'allumage (qui se trouve habituellement sur le panneau de fusibles du véhicule sous l'accessoire ou la radio).

5.2

Vérification de l'installation physique de la mise à la terre de la radio et du câblage des accessoires de la radio

- Assurez-vous que le fil A+ (rouge) est connecté directement à la borne positive de la batterie et que le fil de masse (noir) est connecté au châssis du véhicule à l'aide d'un fil juste à la bonne longueur.
- Sur les véhicules qui ont d'autres types d'équipements électroniques installés (lumières, gyrophares, ordinateurs, sirène/diffusion publique, etc.), il faut une mise à la terre distincte pour l'équipement de radio mobile.
- Assurez-vous que l'antenne LTE est à la distance minimale requise (15 cm) de l'équipement radio mobile pour une bonne coexistence entre les émetteurs-récepteurs LTE et Wi-Fi.
- N'enroulez pas l'excédent de longueur du fil A+ (rouge). Cela pourrait causer une importante tension transitoire pendant un débit élevé de courant, par exemple durant les transmissions.
- Si possible, n'enroulez pas l'excédent de câble de l'antenne. Cela pourrait avoir une incidence sur la qualité de la réception de la radio.

5.3

Améliorez la qualité électrique des lignes d'alimentation et d'allumage

Procédure :

- 1 Pour utiliser un relais pour isoler le point du commutateur d'allumage (ACC) du véhicule du point du détecteur d'allumage de la radio. Effectuez les opérations suivantes :
 - a Commandez ce relais à partir du point du commutateur d'allumage (ACC) du véhicule.
 - b Fournissez une tension plus propre de la borne positive de la batterie au relais, qui est relié au point du détecteur d'allumage de la radio.
 - c Activez et désactivez le relais de la ligne d'ACC plutôt que d'activer et de désactiver la ligne du détecteur d'allumage de la radio.
- 2 Pour installer un filtre de ligne électrique entre le fil A+ et la borne positive de la batterie. Effectuez les opérations suivantes :
 - a Filtrez le courant en provenance de la batterie appliqué aux amplificateurs de puissance de l'émetteur.
 - b Prenez des précautions supplémentaires parce que le filtre en série crée une pointe négative lors de la transmission, ce qui pourrait entraîner des problèmes de fonctionnement de la radio.
- 3 Pour les véhicules qui utilisent des relais électromécaniques pour commander des dispositifs externes tels que lumières, moteurs, boîtes de distribution). Effectuez les opérations suivantes :
 - a Isolez les circuits des relais de l'équipement de radio mobile.
 - b Utilisez une diode de suppression sur les contacts du relais pour minimiser le bruit engendré par l'interruption du champ magnétique.
- 4 Pour utiliser un commutateur de détection d'allumage. Effectuez les opérations suivantes :
 - a Assurez-vous qu'il n'existe pas de chute de tension importante entre le point A+ (habituellement la borne positive de la batterie) et le détecteur d'allumage.
 - b La différence de tension entre ces deux points ne doit pas être supérieure à 1,5 V lorsque tous les accessoires et le climatiseur sont en fonction.
 - c Consultez le guide d'entretien général pour les spécifications relatives aux niveaux de tension minimum et maximum.
 - d Le niveau habituel de tension de la batterie est de 13,6 V \pm 20 %.

5.4

Démarrage-secours du véhicule

Préalables :



MISE EN GARDE :

Ne tentez pas de faire un démarrage-secours du véhicule avec les câbles d'alimentation de la radio ou du détecteur d'allumage connectés. Cela pourrait endommager la radio ou des accessoires.

L'état de la radio avant le démarrage-secours peut être inconnu et la radio pourrait essayer de retourner à son dernier (en fonction) lors du démarrage-secours. C'est pourquoi Motorola Solutions recommande les étapes suivantes avant tout démarrage-secours d'un véhicule équipé d'une radio.

Procédure :

- 1 Localisez la ligne du détecteur d'allumage et les fils d'alimentation principaux (fil rouge épais) près de la borne positive de la batterie.



REMARQUE :

Ces lignes sont dotées de fusibles. S'il n'y a pas de fusibles sur les lignes (ajoutez un fusible approprié à la ligne), utilisez tout outil utile pour débrancher physiquement le détecteur d'allumage et les lignes électriques de la borne de la batterie.

- 2 Ouvrez les porte-fusibles et retirez les fusibles des trousse.
- 3 Resserrez les porte-fusibles, mais sans les fusibles, pour vous assurer que le détecteur d'allumage et les lignes électriques n'interfèrent pas avec les pièces mobiles.
- 4 Procédez au démarrage-secours de la façon indiquée dans le manuel du propriétaire de votre véhicule.
- 5 Une fois le processus de démarrage-secours terminé, remettez les fusibles dans leur porte-fusible.

Annexe A

Commande de pièces de rechange

Certaines pièces de remplacement ou informations sur les produits peuvent être commandées directement auprès de l'organisation de distribution locale de Motorola Solutions ou sur Motorola en ligne.

Information de base sur les commandes

Bien que les pièces puissent se voir attribuer un numéro de pièce Motorola Solutions, elles peuvent ne pas être disponibles auprès de l'Organisation des solutions et des produits radio.⁶ (RPSO). Certaines pièces peuvent être devenues obsolètes et ne plus être disponibles sur le marché en raison d'annulations par le fournisseur. Si aucun numéro de pièce Motorola Solutions n'est attribué à la pièce, celle-ci n'est alors habituellement pas disponible auprès de Motorola, ou n'est tout simplement pas une pièce pouvant être réparée par l'utilisateur. Lorsque les numéros de pièce comportent un astérisque, cela signifie que les pièces ne peuvent être réparées que par un centre Motorola Solutions.

Les commandes de pièces de rechange, d'ensembles et d'assemblages de rechange doivent être passées directement auprès de l'organisation de distribution locale de Motorola Solutions ou sur Motorola en ligne. Lorsque vous commandez des pièces de rechange ou demandez de l'information au sujet du matériel, vous devriez inclure le numéro d'identification complet. Cette consigne s'applique aux composants, aux ensembles et aux châssis. Si vous ne connaissez pas le numéro de la pièce, vous devriez inclure à votre commande le numéro du châssis ou de l'ensemble dont elle fait partie, ainsi qu'une description suffisamment détaillée de la pièce en question.

Pour identifier les pièces de rechange non référencées, demandez de l'aide à l'organisation du service à la clientèle d'un représentant de Motorola Solutions dans votre région.

Motorola en ligne

Le catalogue de produits est disponible sur Motorola en ligne. Pour vous inscrire et y accéder :

- Pour les centres de service aux États-Unis et au Canada seulement, composez le 1 800 422-4210.

Types de commandes	Coordonnées
Commandes postales Les commandes postales ne sont acceptées que par la U.S. Federal Government Markets Division (USFGMD).	Motorola Solutions 7031 Columbia Gateway Drive 3rd Floor – Order Processing Columbia, MD 21046 États-Unis
Commandes par téléphone et identification des pièces	Organisation des solutions et des produits radio (États-Unis et Canada) De 7 h à 19 h (heure normale du Centre) Du lundi au vendredi (Chicago, États-Unis) 1 800 422-4210 1 847 538-8023 (États-Unis et Canada)

⁶ L'Organisation des solutions s'appelait autrefois Radio Products Services Division (RPSD) ou Accessories and Aftermarket Division (AAD).

Types de commandes	Coordonnées
Commandes par télécopieur	U.S. Federal Government Markets Division (USFGMD) 1 800 826-1913 Federal Government Parts (cartes de crédit seulement) De 8 h 30 à 17 h (heure normale de l'Est)
	Organisation des solutions et des produits radio (États-Unis et Canada) 1 800 622-6210 1 847 576-3023 (États-Unis et Canada)
	U.S. Federal Government Markets Division (USFGMD) 1 800 526-8641

Service à la clientèle

Organisation des solutions et des produits radio (États-Unis et Canada)

1 800 927-2744

Annexe B

Bureaux de Motorola Solutions

Pour obtenir de plus amples renseignements sur la radio, veuillez communiquer avec les bureaux de Motorola Solutions suivants afin de soumettre vos demandes.

Tableau 2 :Bureaux de Motorola Solutions

Bureau	Adresse	Numéro de téléphone
Centre de service Motorola Solutions	1220 Don Haskins Drive Suite A El Paso, TX 79936	915 872-8200
Motorola Solutions Federal Technical Center	10105 Senate Drive Lanham, MD 20706	1 800 969-6680 Télécopieur : 1 800 784-4113
Motorola Solutions Canadian Technical Logistics Center	181 Whitehall Drive Markham, Ontario L3R 9T1	1 800 543-3222

Historique du document

Les principaux changements apportés dans ce manuel depuis l'édition précédente sont les suivants :

Édition	Description	Date
MN006372A01-AA	Version initiale.	Mars 2020
MN006372A01-AB	Mise à jour de la traduction – Japonais	Mai 2020
MN006372A01-AC	Mise à jour du numéro de pièce du microphone monté sur le pare-soleil dans la section intitulée « Installation du microphone pour le pare-soleil ».	Juillet 2020
MN006372A01-AD	Ajout dans la section Insertion de la carte SIM et mise à jour de la section Installation de l'antenne.	Janvier 2021
MN006372A01-AE	Ajout d'un exemple d'installation. Mise à jour du tableau des fonctions des broches du connecteur arrière dans l'installation des accessoires.	Février 2021
MN006372A01-AF	Mise à jour du tableau des fonctions des broches du connecteur arrière dans l'installation des accessoires.	Juin 2021

Avant-propos

Le présent manuel s'adresse aux techniciens expérimentés qui ont une bonne connaissance d'appareils similaires. Plus précisément, il contient les renseignements nécessaires pour installer des radios mobiles.

Pour de plus amples renseignements sur le fonctionnement de la radio ou le dépannage de composants particuliers, consultez les manuels pertinents disponibles séparément. La liste des publications connexes est fournie à la section Publications connexes.

Droits d'auteur sur le document

Toute reproduction ou distribution, en tout ou en partie, du présent document est interdite sans l'autorisation écrite expresse de Motorola Solutions. Aucune partie de ce manuel ne peut être reproduite, distribuée ni transmise sous aucune forme ou par n'importe quel moyen, électronique ou mécanique, à quelque fin que ce soit, sans l'autorisation écrite expresse de Motorola Solutions.

Déclarations juridiques et de conformité

Sécurité du produit et respect des normes relatives à l'exposition aux radiofréquences



MISE EN GARDE :

Avant d'utiliser ce produit, lisez le guide « Sécurité du produit et respect des normes relatives à l'exposition aux radiofréquences » qui accompagne votre radio. Ce guide contient d'importantes informations sur le mode d'emploi sécuritaire du produit ainsi que des informations relatives à l'énergie de RF et à son contrôle, afin d'assurer la conformité aux normes et règlements applicables.

Droits d'auteur du logiciel

Les produits Motorola Solutions décrits dans ce manuel peuvent inclure des logiciels Motorola Solutions protégés en vertu de la loi sur le droit d'auteur enregistrés dans des mémoires à semi-conducteurs ou dans d'autres supports. Les lois du Canada, des États-Unis et d'autres pays protègent, au nom de Motorola Solutions, certains droits exclusifs visant les logiciels, y compris, mais sans s'y limiter, les droits exclusifs de copie et de reproduction sous toute forme que ce soit des logiciels protégés par la loi sur le droit d'auteur. Par conséquent, la loi sur le droit d'auteur protégeant tous les logiciels de Motorola Solutions inclus avec les produits de Motorola Solutions décrits dans ce manuel interdit toute copie, reproduction, modification, ingénierie à rebours ou distribution de ces logiciels sans l'autorisation écrite expresse de Motorola Solutions. De plus, l'achat de produits Motorola Solutions ne peut être considéré comme une transaction octroyant directement, par inférence, estoppel ou autrement une licence en vertu des droits d'auteur, des droits de brevets ou d'une demande de brevet de Motorola Solutions, à l'exception d'une licence d'utilisation normale et non exclusive prévue par la loi lors de la vente d'un produit.

Avis de non-responsabilité

L'information contenue dans le présent document a été examinée avec soin et est considérée comme étant entièrement fiable. Cependant, nous n'assumons aucune responsabilité en cas d'inexactitude. De plus, Motorola Solutions se réserve le droit d'apporter des modifications à tout produit visé par le présent document afin d'en améliorer la lisibilité, la fonctionnalité ou la conception. Motorola Solutions n'assume aucune responsabilité quant aux applications ou à l'utilisation des produits et circuits décrits dans le présent document, pas plus qu'elle ne se porte garante des licences exploitées en vertu de ses droits de brevet ou des droits d'un tiers.

Marques de commerce

© 2021 Motorola Solutions, Inc. Tous droits réservés.

MOTOROLA, MOTO, MOTOROLA SOLUTIONS et le logo stylisé M sont des marques de commerce ou des marques déposées de Motorola Trademark Holdings, LLC et sont utilisées sous licence. Toutes les autres marques de commerce sont la propriété de leurs détenteurs respectifs.

Garantie limitée

PRODUITS DE COMMUNICATIONS MOTOROLA SOLUTIONS

I. PROTECTION ASSURÉE PAR LA PRÉSENTE GARANTIE ET DURÉE DE CELLE-CI

Motorola Solutions, Inc. (« Motorola Solutions ») garantit les produits de télécommunication identifiés ci-dessous (le « Produit ») fabriqués par Motorola Solutions contre tout défaut de matériel et de fabrication dans des conditions normales d'utilisation et d'entretien, pour une période suivant la date d'achat, tel qu'il est stipulé ci-dessous :

Radio mobile	1 an
Accessoires des produits	1 an

À sa discrétion, Motorola Solutions réparera sans frais le Produit (avec des pièces neuves ou remises à neuf), le remplacera (par un produit neuf ou remis à neuf) ou remboursera le prix d'achat du Produit durant la période de garantie, à condition que le Produit soit retourné au lieu d'achat conformément aux modalités de la présente garantie. Les pièces et les cartes remplacées sont garanties pour le reste de la période de garantie d'origine. Toute pièce remplacée du Produit devient la propriété de Motorola Solutions.

Cette garantie limitée expresse est exclusivement accordée par Motorola Solutions à l'acheteur utilisateur final d'origine, et ne peut être ni transférée ni cédée à un tiers. La présente garantie constitue la garantie complète du Produit fabriqué par Motorola Solutions. Motorola Solutions n'assume aucune obligation ni responsabilité pour quelque ajout ou modification à la présente garantie, à moins d'être en présence d'un document écrit et signé par un cadre supérieur de Motorola Solutions.

Sauf dans le cadre d'une entente distincte conclue entre Motorola Solutions et l'acheteur utilisateur final d'origine, Motorola Solutions ne garantit pas l'installation, l'entretien, ni la réparation du Produit.

Motorola Solutions se dégage de toute responsabilité à l'égard de tout équipement auxiliaire qui n'est pas fourni par Motorola Solutions et qui est branché sur le Produit ou utilisé conjointement avec celui-ci, ainsi qu'à l'égard du fonctionnement du Produit utilisé conjointement avec tout équipement auxiliaire, et tous les équipements de cette nature sont expressément exclus de la présente garantie. Compte tenu du caractère unique de chaque système pouvant utiliser le Produit, Motorola Solutions se dégage de toute responsabilité à l'égard de la portée, de la diffusion et du fonctionnement du système dans son ensemble.

II. CONDITIONS GÉNÉRALES

La présente garantie précise l'entière responsabilité de Motorola Solutions à l'égard du produit. À la discrétion de Motorola Solutions, la réparation du produit, son remplacement ou le remboursement de son prix d'achat constituent le seul recours. CETTE GARANTIE REMPLACE TOUTE AUTRE GARANTIE EXPRESSE. TOUTES LES GARANTIES IMPLICITES, COMPRENANT, SANS LIMITATION, LES GARANTIES IMPLICITES DE QUALITÉ MARCHANDE ET D'ADAPTATION À UN USAGE PARTICULIER, SONT LIMITÉES À LA PÉRIODE DÉFINIE PAR CETTE GARANTIE LIMITÉE. DANS LA MESURE AUTORISÉE PAR LA LOI, MOTOROLA SOLUTIONS NE POURRA EN AUCUN CAS ÊTRE TENUE RESPONSABLE DE DOMMAGES DONT LA VALEUR DÉPASSE LE PRIX D'ACHAT DU PRODUIT, NI À L'ÉGARD DES PERTES DE JOUISSANCE, DES PERTES DE TEMPS, DES DÉRANGEMENTS, DES PERTES COMMERCIALES, DES PERTES DE PROFIT OU

D'ÉCONOMIES, NI RELATIVEMENT À TOUT AUTRE DOMMAGE ACCESSOIRE, SPÉCIAL OU INDIRECT RÉSULTANT DE L'UTILISATION OU DE L'INCAPACITÉ D'UTILISER CE PRODUIT.

III. DROITS PRÉVUS PAR LES LOIS PROVINCIALES :

CERTAINES PROVINCES NE PERMETTENT AUCUNE EXCLUSION NI LIMITATION QUANT AUX DOMMAGES CONSÉCUTIFS OU INDIRECTS, NI AUCUNE LIMITE SUR LA DURÉE D'UNE GARANTIE IMPLICITE, DE SORTE QUE LES LIMITES OU EXCLUSIONS MENTIONNÉES PLUS HAUT PEUVENT NE PAS S'APPLIQUER DANS VOTRE CAS.

La présente garantie confère des droits juridiques précis et il est possible que vous jouissiez d'autres droits, selon votre province de résidence.

IV. RÉPARATION DANS LE CADRE DE LA GARANTIE

Pour que la réparation soit couverte par la garantie, vous devez fournir une preuve d'achat (portant la date d'achat et le numéro de série du Produit). De plus, vous devez livrer ou expédier le Produit, en payant d'avance les frais de transport et d'assurance, à un centre de service homologué. Les réparations sous garantie seront effectuées par Motorola Solutions à l'un de ses centres de service autorisés. Dans certains cas, il est plus facile d'obtenir les réparations couvertes par la garantie en s'adressant d'abord à l'entreprise qui vous a vendu le produit (p. ex. le détaillant ou votre fournisseur de services de télécommunication). Vous pouvez également appeler Motorola Solutions au numéro 1 800 927-2744.

V. CE QUI N'EST PAS COUVERT PAR CETTE GARANTIE

- 1 Les défauts et dommages résultant de l'utilisation du Produit autrement que dans des conditions normales et habituelles.
- 2 Les défauts et dommages résultant d'une mauvaise utilisation, d'un accident, de la négligence ou de l'exposition à des liquides.
- 3 Les défauts et dommages résultant de méthodes d'essai, de fonctionnement, d'entretien, d'installation, de modification ou de réglage non adéquates.
- 4 Les bris et dommages des antennes, sauf si cela est causé directement par un défaut de fabrication ou de main-d'œuvre.
- 5 Un Produit soumis à des modifications, des réparations ou un démontage non autorisés (y compris, sans s'y limiter, l'ajout au Produit d'un équipement quelconque non fourni par Motorola Solutions) et qui ont un effet négatif sur le rendement du Produit ou qui nuisent à l'inspection ou à l'essai normal sous garantie du Produit par Motorola Solutions en cas de réclamation.
- 6 Tout produit dont le numéro de série a été supprimé ou rendu illisible.
- 7 Batteries rechargeables si :
 - une protection étanche du boîtier protégeant les cellules de la batterie a été rompue ou présente des signes d'altération;
 - le dommage ou la défektivité sont provoqués par la charge ou l'utilisation de la batterie dans un équipement ou avec un service autre que ceux qui sont spécifiés pour le Produit.
- 8 Frais de transport vers l'atelier de réparation.
- 9 Tout produit qui, à cause de modifications illégales ou interdites apportées au logiciel ou au micrologiciel du Produit, ne fonctionne pas conformément aux spécifications énoncées par Motorola Solutions ou sur l'étiquette de conformité de la FCC en vigueur pour le Produit lorsque le Produit a été initialement distribué par Motorola Solutions.
- 10 Les égratignures et autres dommages superficiels ne nuisant pas au fonctionnement du Produit.

11 L'usure et le vieillissement normaux et habituels.

VI. DISPOSITIONS RELATIVES AUX BREVETS ET AUX LOGICIELS

Motorola Solutions défendra à ses frais toute poursuite menée en justice contre l'acheteur dans la mesure où la poursuite revendique que le produit ou certaines de ses pièces enfreignent un brevet des États-Unis, et Motorola Solutions paiera les frais et dommages finalement accordés au détriment de l'acheteur dans toute poursuite judiciaire attribuable à une quelconque revendication de cette nature, une telle défense et un tel paiement étant soumis aux conditions suivantes :

- 1 Motorola Solutions doit être rapidement notifiée, par écrit, d'une telle réclamation par l'acheteur;
- 2 Motorola Solutions maîtrisera entièrement la défense de l'action juridique et toutes les négociations d'accord ou de compromis;
- 3 Si le produit ou les pièces font ou, de l'avis de Motorola Solutions, pourraient faire l'objet d'une poursuite pour contrefaçon d'un brevet américain ou canadien, l'acheteur accordera le droit à Motorola Solutions, à la discrétion et aux frais de cette dernière, soit de procurer à l'acheteur le droit de continuer d'utiliser le produit ou les pièces, soit de remplacer ou de modifier ces derniers de manière à ce qu'ils n'enfreignent plus le brevet, soit d'accorder à l'acheteur un crédit équivalent à la valeur dépréciée du produit ou des pièces et d'accepter de reprendre ceux-ci. La dépréciation représentera un montant égal pour chaque année de durée de vie utile du produit ou des pièces, tel que déterminé par Motorola Solutions.

Motorola Solutions se dégage de toute responsabilité à l'égard de toute poursuite pour contrefaçon de brevet fondée sur une adaptation du produit ou des pièces mentionnées dans la présente à un logiciel, un appareil ou un équipement non fourni par Motorola Solutions. Motorola Solutions se dégage également de toute responsabilité à l'égard de tout équipement ou logiciel qui n'est pas fourni par Motorola Solutions et qui est rattaché au produit ou utilisé conjointement avec ce dernier. Ce qui précède énonce l'entière responsabilité de Motorola Solutions pour la contrefaçon de brevets relative au produit ou à toute pièce de ce dernier.

Les lois au Canada, aux États-Unis et dans d'autres pays protègent au nom de Motorola Solutions certains droits exclusifs visant les logiciels, comme ceux de reproduire des copies et de distribuer des copies desdits logiciels Motorola Solutions. Les logiciels Motorola Solutions ne peuvent être utilisés qu'avec les produits à l'intérieur desquels ils étaient installés à l'origine. Il est interdit de remplacer, de copier, de distribuer, de modifier d'aucune façon et d'utiliser le logiciel à l'intérieur du produit en vue de fabriquer un quelconque produit dérivé. Aucune autre utilisation, y compris, sans s'y limiter, l'altération, la modification, la reproduction, la distribution ou l'ingénierie à rebours, d'un quelconque logiciel Motorola Solutions n'est permise. Aucune licence n'est accordée pour inférence, estoppel ou autre en vertu des droits de brevets ou des droits d'auteur de Motorola Solutions ou de tiers.

VII. LOI APPLICABLE

Cette garantie est régie par les lois de l'État de l'Illinois, É.-U.

目次

図の一覧.....	4
表の一覧.....	5
章 1: このマニュアルで使用されている表記.....	6
章 2: はじめに.....	7
2.1 車載型無線機の説明.....	7
2.1.1 寸法.....	7
2.1.2 無線機背面の接続.....	8
2.2 無線機の構成.....	8
2.3 屋内使用向け基地局無線機.....	9
章 3: 標準構成の設置の詳細.....	11
3.1 設置計画.....	11
3.1.1 設置に必要なツール.....	11
3.1.2 設置の例.....	11
3.1.3 配線図.....	13
3.2 無線機の取り付け.....	14
3.2.1 マウントブラケットを使用した取り付け.....	15
3.2.2 マウントブラケット 盗難防止鍵付き (オプション).....	16
3.2.2.1 盗難防止鍵付きキットの取り付け (すべての無線機).....	16
3.3 SIM カードの挿入.....	17
3.4 DIN マウント.....	18
3.4.1 ダッシュボードへのフレーム設置.....	18
3.4.2 フレームへの無線機の取り付け.....	19
3.4.3 フレームから無線機を取り外す.....	20
3.5 電源ケーブル.....	20
3.6 イグニッション連動ケーブル.....	21
3.7 アンテナの設置.....	21
3.7.1 アンテナの取り付け.....	22
3.8 マイクのハングアップクリップ.....	25
3.8.1 標準のハングアップクリップ.....	25
3.9 設置の完了.....	25
章 4: アクセサリの取り付け.....	26
4.1 緊急プッシュボタンまたはエマージェンシー・フットスイッチの取り付け.....	28
4.2 外部スピーカの取り付け.....	29
4.3 外部スピーカの取り付け.....	30
4.4 バイザーマイクの取り付け.....	31

4.5 リモート PTT (バイザーマイク用) の取り付け.....	31
章 5 : ベスト プラクティス: 設置とトラブルシューティング.....	32
5.1 イグニッションと無線機のイグニッション感知の配線の確認.....	32
5.2 無線機の接地と無線機アクセサリの配線の物理的な取り付けの確認.....	32
5.3 電力線とイグニッション線の電力品質の向上.....	32
5.4 車両のジャンプスタート.....	33
付録 A : 交換部品の注文.....	34
付録 B : Motorola Solutions のオフィス.....	36
法的小および準拠に関する声明.....	38
製品の安全性と電磁波被曝に関する要件の準拠.....	38
コンピュータ ソフトウェア著作権.....	38
免責条項.....	38
商標.....	38
限定保証.....	39
MOTOROLA SOLUTIONS 通信製品.....	39
I. この保証の対象と期間:.....	39
II. 全般的な規定.....	39
III. 州法の権利:.....	39
IV. 保証サービスを受ける方法.....	40
V. 本保証の対象とならないもの.....	40
VI. 特許およびソフトウェアに関する条件.....	40
VII. 準拠法.....	41

図の一覧

図 1: ダッシュ マウント トラニオンの正面図	7
図 2: ロー プロファイル トラニオンを使用したダッシュ マウントの側面図	7
図 3: 無線機の背面	8
図 4: 無線機の構成	9
図 5: 屋内使用向け基地局無線機の構成例	10
図 6: 標準的なダッシュ マウント構成	12
図 7: 無線機の設置 (ダッシュ マウント)	13
図 8: 上付けまたは下付け無線機のブラケットの向き	14
図 9: トランスミッション ハンプへのマウントブラケット取り付け	15
図 10: ダッシュボード下へのブラケット取り付け	16
図 11: マウントブラケット 盗難防止鍵付き (オプション)	17
図 12: ダッシュボードへの取り付け	19
図 13: ダッシュ マウント用のケーブルの相互接続図	21
図 14: 無線機背面へのアンテナ接続	22
図 15: ダッシュボードに GNSS アンテナを取り付ける	23
図 16: ウインドシールド内部に GNSS アンテナを取り付ける	24
図 17: 背面アクセサリ コネクタの位置	26
図 18: 16 ピンのアクセサリ コネクタ ブロック	27
図 19: 背面アクセサリ コネクタのピン接続 (無線装置の背面から見た図)	27
図 20: 緊急スイッチ配線図	29
図 21: 外部スピーカの取り付け	30

表の一覧

表 1 : 背面アクセサリ コネクタのピン接続	27
表 2 : Motorola Solutions のオフィス	36

章 1

このマニュアルで使用されている表記

本書では、警告、注意、および注記という表記が使用されています。これらの表記は、安全性に対する危険があることを強調するために使用され、十分な注意を払って遵守する必要があります。



警告：「警告」は、回避しない場合に死亡や負傷につながる潜在的に危険な状況を示します。



注意：「注意」は、回避しない場合に装置の損傷につながる潜在的に危険な状況を示します。



注：「注記」は、強調する必要がある操作手順、使用方法、または条件を示しています。

章 2

はじめに

本マニュアルでは、無線システムの使用に必要な車載型無線機とアクセサリの設置手順について説明します。

2.1

車載型無線機の説明

この章では、車載型無線機のダッシュ マウント トラニオンの基準寸法について説明します。

2.1.1

寸法

無線機を設置する際は慎重に計画してください。設置場所内には配線とアクセサリ接続用のスペースを確保してください。無線機をマウントブラケットに設置するには、適切なハードウェアを使用してください。



注：特に明記されていない限り、使用される測定単位はミリメートルです。

図 1：ダッシュ マウント トラニオンの正面図

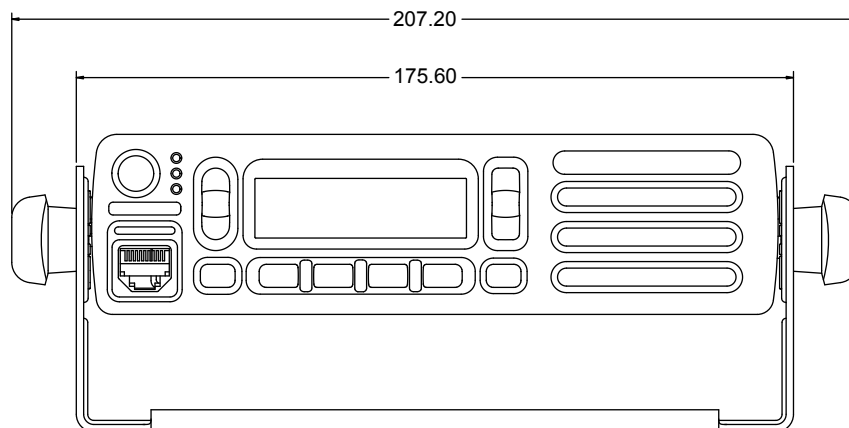
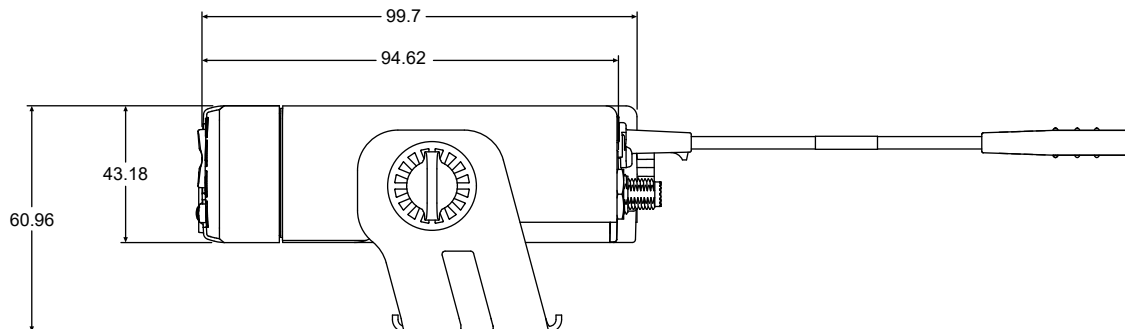


図 2：ロー プロファイル トラニオンを使用したダッシュ マウントの側面図

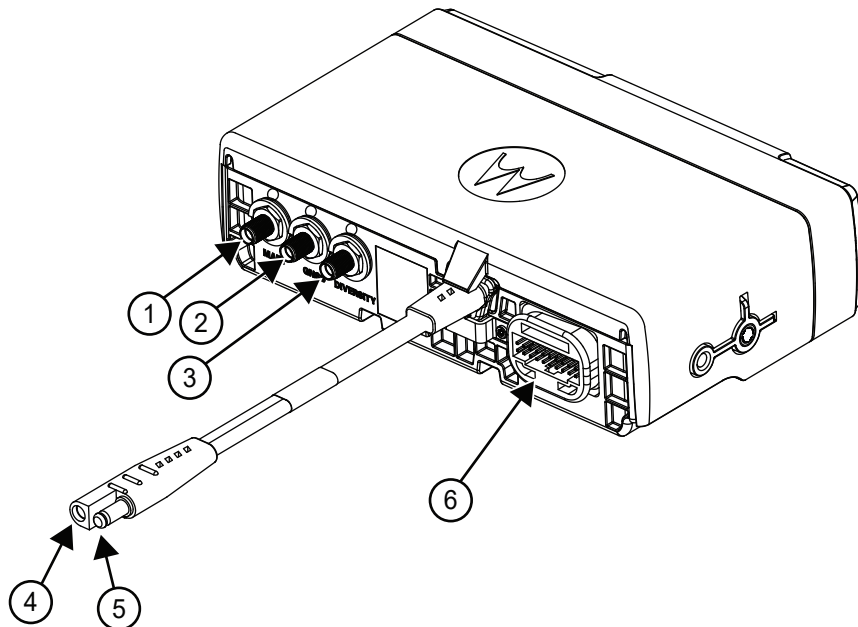


2.1.2 無線機背面の接続

以下の図は、無線機背面にある接続箇所を示しています。

背面アクセサリ コネクタの全ピン設定については、「背面アクセサリ コネクタのピン接続」を参照してください。

図 3：無線機の背面

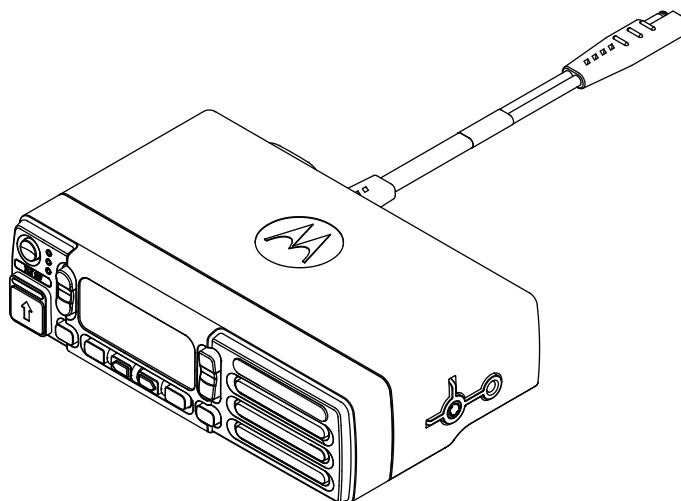


項目	説明
1	メイン LTE アンテナ コネクタ (赤)
2	LTE ダイバーシティ アンテナ コネクタ (青)
3	GNSS アンテナ コネクタ (黄)
4	バッテリー-
5	バッテリー+
6	後部アクセサリ コネクタ

2.2 無線機の構成

無線機コントロール ヘッドは、無線機の前面に取り付けられます。この 2 台の電気接続は、無線機前面のコネクタとコントロール ヘッド背面のコネクタをフレックス ケーブルを使用して装置内で行います。

図 4: 無線機の構成



構成の詳細については、[設置の例 ページ 11](#) を参照してください。

2.3

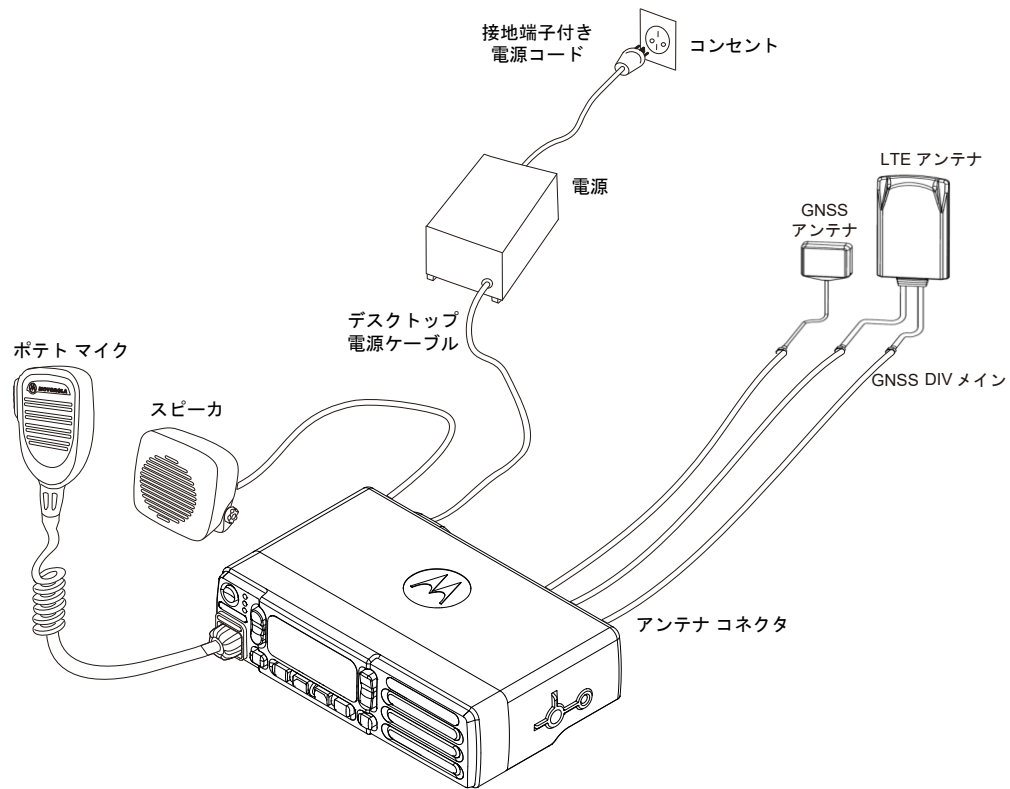
屋内使用向け基地局無線機

最適な性能と RF エネルギー被曝制限が、安全性に関する冊子に記載されている国際基準とガイドラインに適合していることを確認する必要があります。

車載型無線機を特定の場所に固定して設置し、基地局無線機などとして屋内で使用する場合、無線機とアンテナの取り付けの際には以下の要件を満たしている必要があります。

- 電源の線間電圧は正しく接地する必要があります。
- 固定アンテナの取り付けに際しては、施設管理者の責任において、適切な規定に適合していることを確認する必要があります。

図 5 : 屋内使用向け基地局無線機の構成例



章 3

標準構成の設置の詳細

無線機はマイナス接地の電気システムでのみ作動します。

無線機の設置を開始する前に、車両の接地極性が正しいことを確認してください。誤って極性を逆にしても無線機は損傷しませんが、ケーブルのヒューズが飛びます。

3.1

設置計画

無線機をすばやく容易に設置するには計画が重要になります。設置を開始する前に、車両を点検し、アンテナ、無線機、アクセサリの取り付け方法と取り付け場所を確認してください。

ワイヤやケーブルの配線経路を計画し、圧迫されたり、押しつぶされたり、オーバーヒートしないように最大限注意します。



注意：

電気機器を設置する前に、自動車メーカーのユーザー マニュアルで警告および推奨事項を確認してください。

この装置は認定サービス業者または設置業者が設置する必要があります。装置を正しく取り付けないと、装置が損傷したり、誤動作したりするおそれがあります。

3.1.1

設置に必要なツール

設置に必要なツールは以下です。

- ラバーコーティングされたペンチ
- 標準のマイナスドライバまたはプラスドライバ #2
- ピンの取り外しツール
- 1/4 六角ドライバ
- 11/32 サイズの六角ドライバ

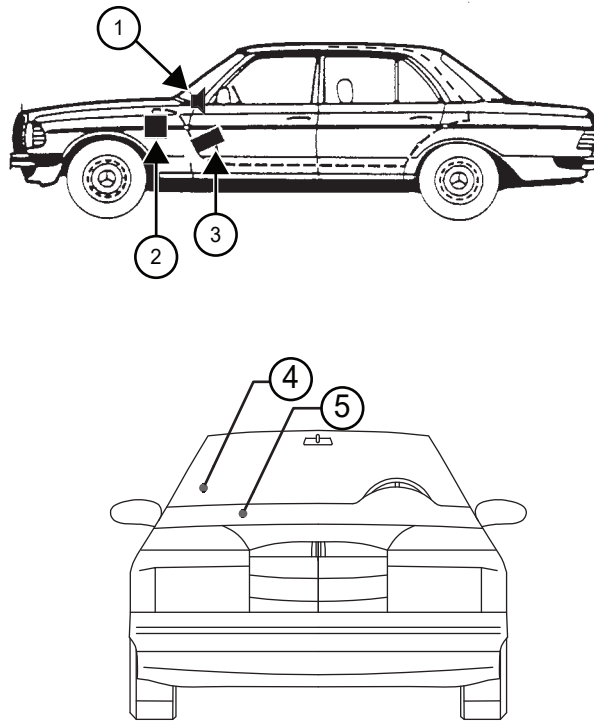
3.1.2

設置の例

双方向移動無線装置にはさまざまな設置方法があり、要望に応じて車両にアクセサリを取り付けることもできます。

無線機は、ダッシュ マウント構成でのみ設置可能です。

図 6：標準的なダッシュ マウント構成

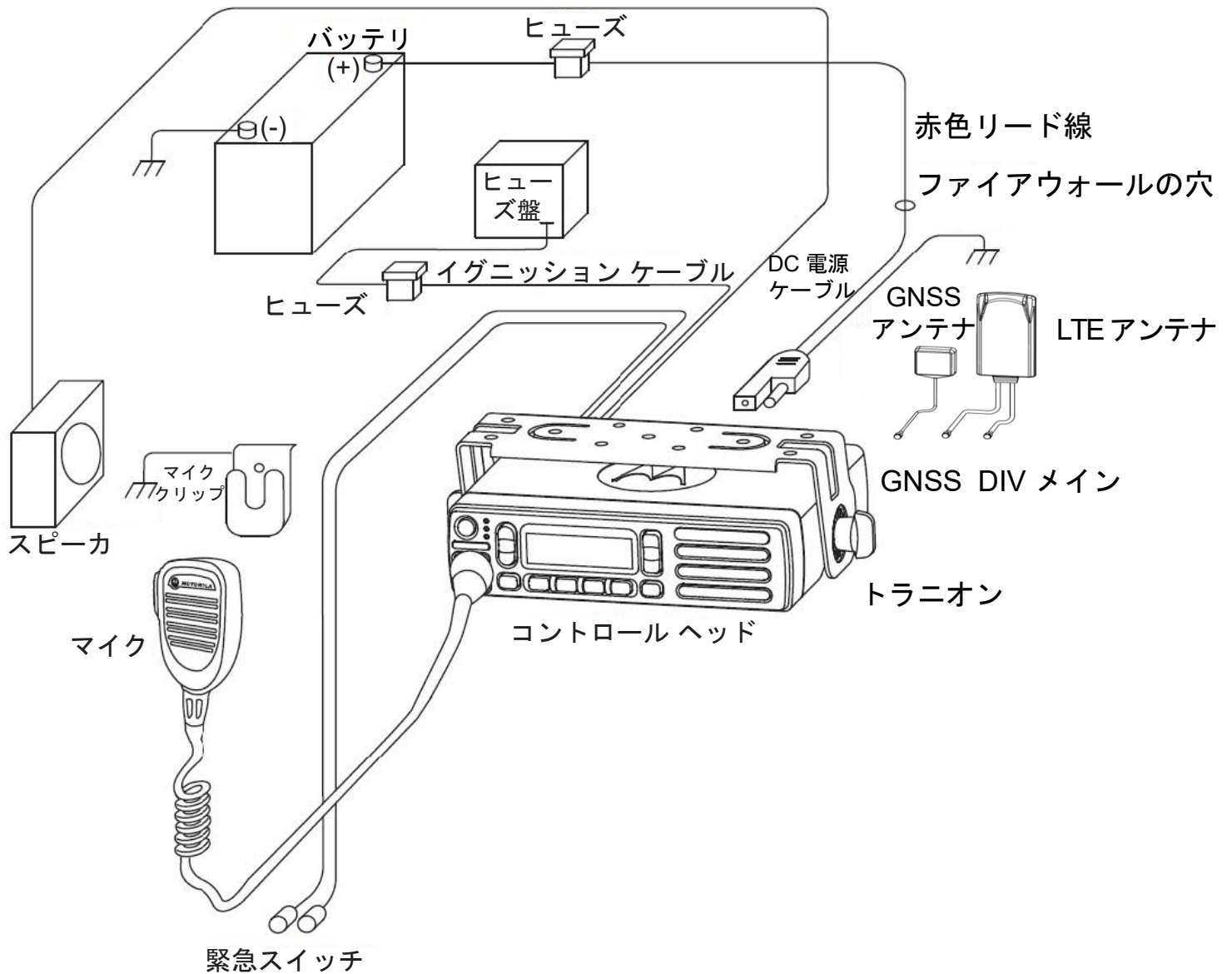



ラベル	説明
1	アンテナ ¼ 波長
2	スピーカ
3	バッテリー
4	アンテナの設置位置 (ウインドスクリーン内)
5	アンテナの設置位置 (車両のダッシュ ボード上)

3.1.3 配線図

設置する構成を確認し、設置計画の際にその配線図を使用します。

図 7：無線機の設置 (ダッシュ マウント)



 注：背面アクセサリ コネクタのピン接続の詳細については、[アクセサリの取り付け ページ 26](#) を参照してください

3.2 無線機の取り付け



注意：
 プラスチック製のダッシュボードの場合は、最初にダッシュボードを補強してから無線機を取り付けてください。無線機の重さでダッシュボードにひびが入ったり、壊れる可能性があります。

無線機が部分的に浸水する可能性がある平面やくぼんだ面に無線機を取り付けしないでください。これは、車両の運転席エリアに水をスプレーして掃除する場合、特に注意が必要です。無線機が長時間水に浸かると、無線機内に水分が浸透して、電子部品が損傷する可能性があります。

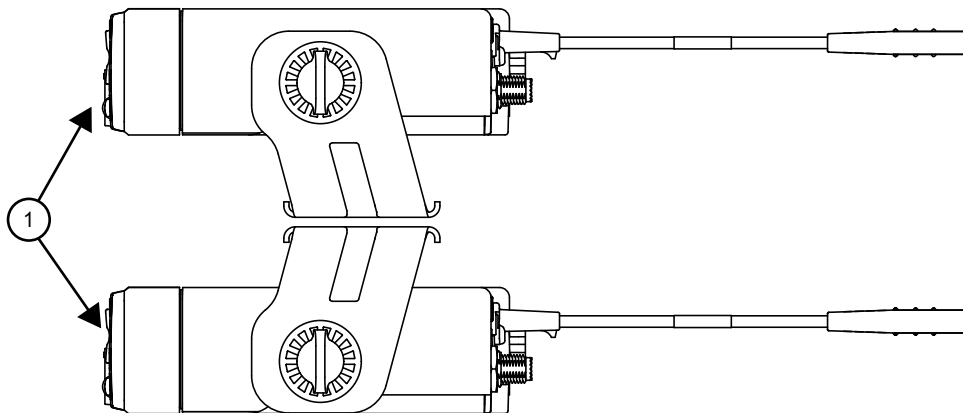
垂直に取り付けた無線機のくぼんだ部分に水がたまらないようにしてください。すぐに水分を拭き取り、無線機内に水分が浸透しないようにしてください。

取り付け位置は手が届く、見やすい場所でなければなりません。可能な限り直接に、RF アンテナ ケーブルを配線できる位置を選択してください。

新規の設置または既存の設置では、以下の表に記載されているいずれかの取り付けキットを使用してください。マウントブラケットの向きを合わせます。

取り付けキット	Motorola Solutions 部品番号
マウントブラケット 薄型	RLN6466_
マウントブラケット 通常型	RLN6467_
キーロックトラニオンキット	RLN6468_
DIN マウント	FTN6083_

図 8：上付けまたは下付け無線機のブラケットの向き



ラベル	説明
1	無線機の前面

3.2.1 マウントブラケットを使用した取り付け

手順:


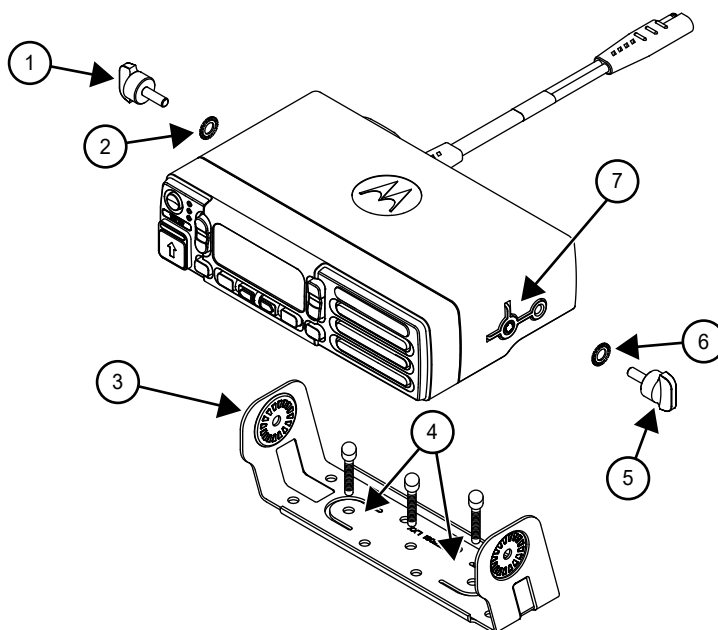
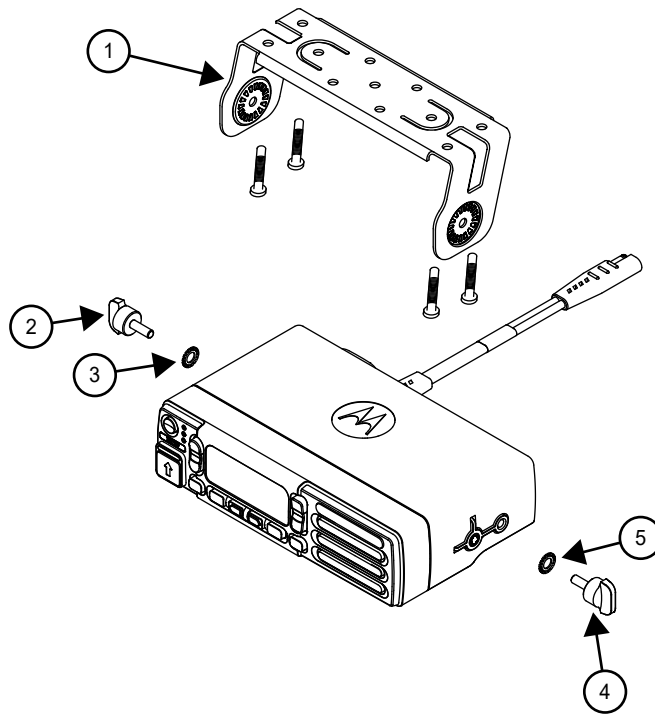
- 1 トランスミッション ハンプの上またはダッシュボードの下の、無線機を取り付ける位置を選択します。
-  注：トランスミッション ハンプの上に取り付ける場合は、トランスミッション関連機器が影響を受けないように注意してください。
- 2 マウントブラケットをテンプレートとして使用し、取り付け面に穴の位置の印を付けます。トランスミッション ハンプのような湾曲した取り付け面の場合は、一番内側の 4 つの穴を使用し、ダッシュボードの下のような平面の場合は、一番外側の 4 つの穴を使用します。
 - 3 印を付けた位置にセンター ポンチで印を付け、トラニオンを適切な位置に再調整します。
 - 4 付属している 4 本のセルフドリル ネジでマウントブラケットを固定します。使用するネジの数は、無線機の取り付け方法によって異なります。
 - 5 無線機の位置を合わせて、マウントブラケット用ガイドを使用してブラケットを調整します。付属の 2 個の蝶ネジとロック ワッシャーで無線装置を固定します (ワッシャーの平坦面を蝶ネジ側に向け、とがった面をブラケット側に向けます)。

図 9：トランスミッション ハンプへのマウントブラケット取り付け



ラベル	説明
1	蝶ネジ
2	ロック ワッシャー
3	マウントブラケット
4	タブ
5	蝶ネジ
6	ロック ワッシャー
7	蝶ネジ用ネジ穴

図 10：ダッシュボード下へのブラケット取り付け



ラベル	説明
1	マウントブラケット
2 および 4	蝶ネジ
3 および 5	ロック ワッシャー

3.2.2

マウントブラケット 盗難防止鍵付き (オプション)

オプションの盗難防止鍵付きキットを使用する場合、次の手順を参照することですべての無線機タイプでキットを取り付けることができます。

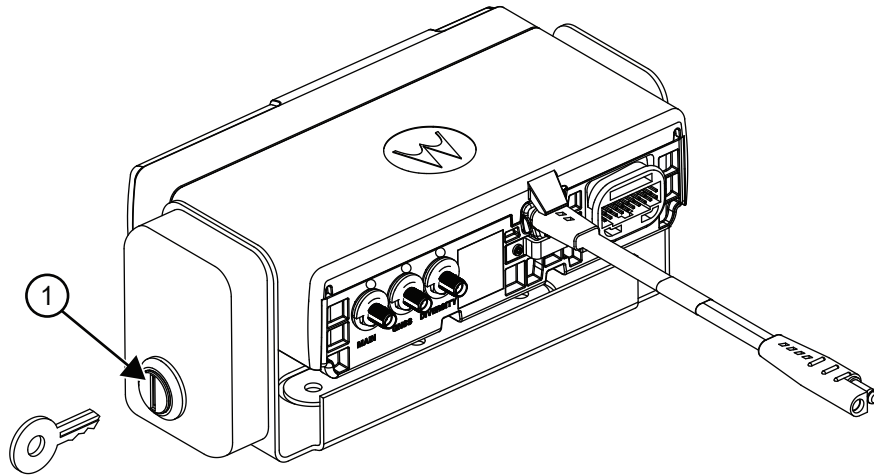
3.2.2.1

盗難防止鍵付きキットの取り付け (すべての無線機)

手順:

- 1 無線機の取り付けネジを差し込む前に、ブラケットにロック ボトム ハウジングをセットします。
- 2 盗難防止鍵付きハウジングの上部をはめて、鍵を抜きます。
- 3 無線機の片側に盗難防止鍵ユニットを取り付けます。

図 11：マウントブラケット 盗難防止鍵付き (オプション)



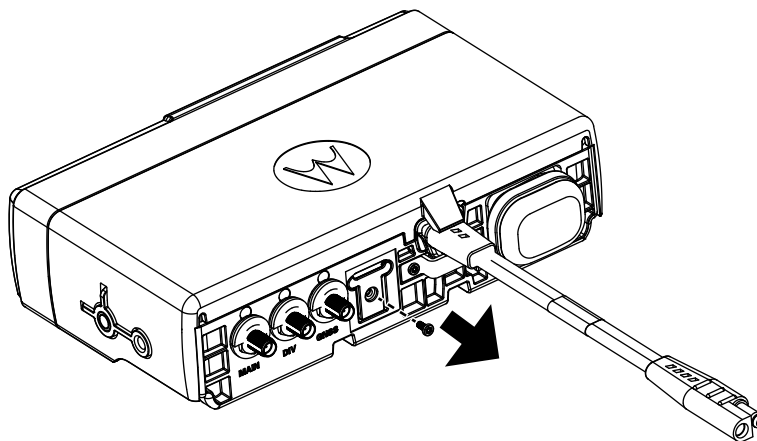
ラベル	説明
1	盗難防止鍵

3.3

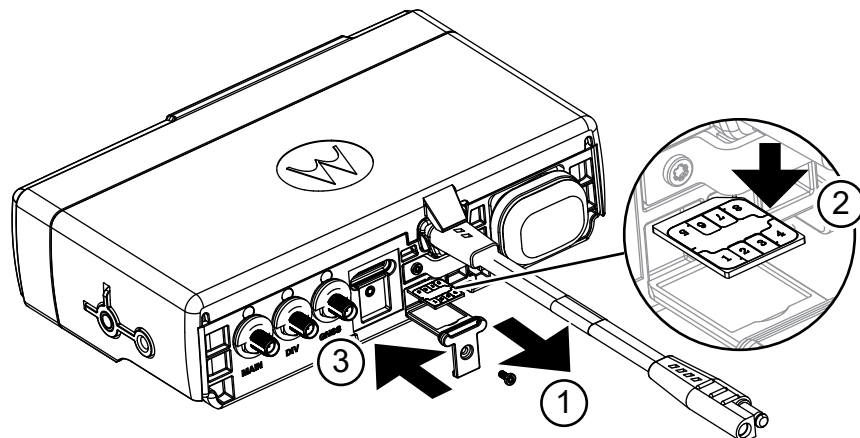
SIM カードの挿入

手順:

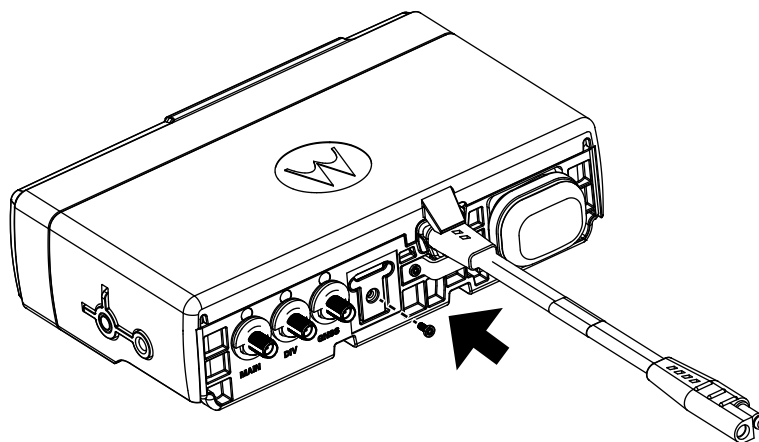
- 1 ドライバを使用して SIM カード スロットのネジを外します。



- 2 SIM カードを SIM カード スロットに挿入します。
- 3 SIM カード スロットを無線機に挿入します。



- 4 ドライバを使用して SIM カード スロットをネジで固定します。



3.4

DIN マウント

この章では、マウント フレームの設置、取り付け、取り外しの手順について説明します。

3.4.1

ダッシュボードへのフレーム設置

手順:

- 1 ISO7736 仕様 (182mm x 53mm) でダッシュボードに無線機スペースを確保します。

- 2 そのスペースに取り付けフレームを挿入し、該当する固定タブ (可能な場合は 6 個すべて使用) を折り曲げて留めます。「TOP」という語を最上部にして、フレームの方向が正確かどうか確認します。



注：
タブの裏側のスロットで大型のフラットヘッド型ドライバを回すと、タブは簡単に折れ曲がります。

さらに安全に設置するには、フレームも該当数のネジで固定する必要があります (最低 1)。

取り付けや取り外しの補助として取り外しツールを使用できます。

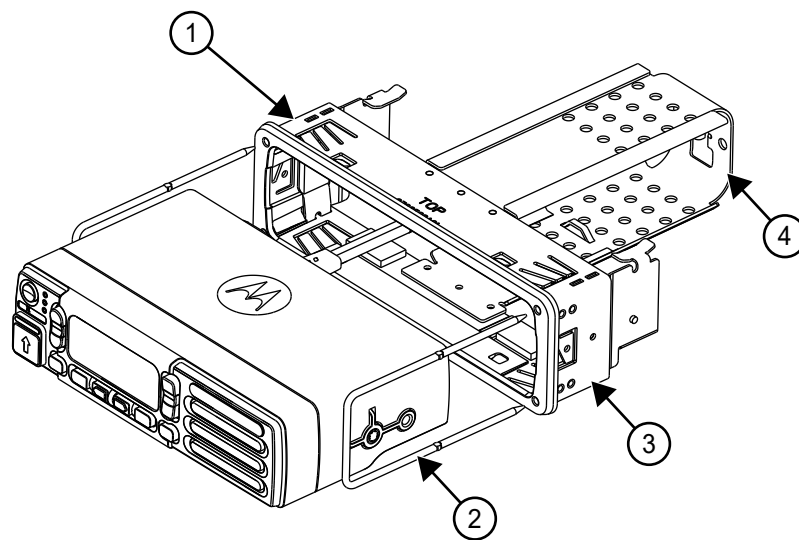
3.4.2

フレームへの無線機の取り付け

手順:

- 1 無線機の電気接続 (電源、アンテナ、アクセサリ) を工事します。
- 2 すべてのコネクタをつなぎ、2 個のバネが所定の位置にカチッと収まるまで無線機をマウント フレームにしっかりと押し込みます。

図 12：ダッシュボードへの取り付け



ラベル	説明
1	固定タブ
2	取り外しツール
3	DIN マウント
4	ここにネジを打ってフレームを固定する

3.4.3

フレームから無線機を取り外す

手順:

- 1 2 個のバネを緩めて無線機が外れるまで、フレームの開口部分を介して 2 つの取り外しツールを押しします。
- 2 無線機をスライドさせて外します。



注:

無線機を取り外せない場合は、側面にある 2 個の取り外し器具を内側に押しします。

無線機を取り外すたびに、固定タブの締め具合を確認する必要があります。タブの裏側のスロットで大型のフラットヘッド型のドライバを回すと、タブは簡単に締まります。

フレームは通常の取り付けや取り外し用には設計されていません。

3.5

電源ケーブル

一般的な業界方式と規格を使用して、無線機の赤い電源ケーブルを無線機から車両のバッテリー コンパートメントに配線します。隔壁の穴をグロメットで留め、ケーブルを保護してください。

ヒューズホルダから 15 アンペアのヒューズを取り外し、付属のハードウェアを使用して無線機電源ケーブルの赤色リード線をバッテリーのプラス端子に接続します。

黒色リード線を都合の良いソリッド シャーシの手近な接地点に接続します。黒色リード線をバッテリーのマイナス端子に直接接続しないでください。

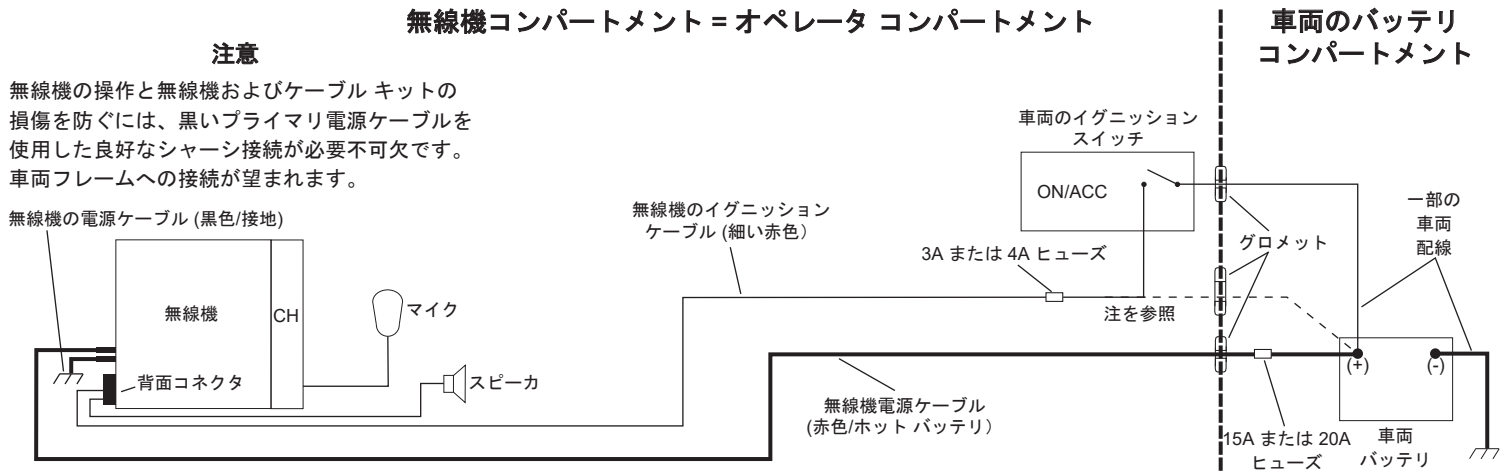


注:

12V 車両設置の無線公称動作電圧は 13.2VDC で、動作電圧範囲は 10.8 ~ 15.6VDC です。

24 V 車両設置の無線公称動作電圧は 27.6VDC で、動作電圧範囲は 22.1 V ~ 33.1 V です。

図 13：ダッシュ マウント用のケーブルの相互接続図



注意

無線機の操作と無線機およびケーブルキットの損傷を防ぐには、黒いプライマリ電源ケーブルを使用した良好なシャーシ接続が必要不可欠です。車両フレームへの接続が望まれます。

無線機の電源ケーブル (黒色/接地)

無線機のイグニッションケーブル (細い赤色)

車両のイグニッションスイッチ

ON/ACC

3A または 4A ヒューズ

注を参照

車両のバッテリーコンパートメント

一部の車両配線

グロメット

無線機電源ケーブル (赤色/ホット バッテリ)

15A または 20A ヒューズ

車両 バッテリ (+) (-)

注：
 注意: 無線機のイグニッション線を車両のバッテリーに直接接続する場合、車両のイグニッションが作動していないときに (オルタネータによる作動) 無線機を過剰に使用すると、車両バッテリーがゆっくり放電される場合があります。この構成では、無線機は車両のイグニッションスイッチのオン/オフで動作します。

無線機のイグニッション線が車両のイグニッションスイッチに配線されている場合、無線機が電源またはイグニッションを使用して無線機のオン/オフを切り替えるように、無線機が Wave OnCloud (WoC) で構成されていることを確認します。

3.6 イグニッション連動ケーブル

Motorola Solutions ではイグニッション連動ケーブルを提供しており、どの移動無線機に対しても、このケーブルの使用を推奨します。イグニッション連動ケーブルを使用すると、車両のイグニッションスイッチで無線のオン/オフを切り替えることができます。

イグニッションスイッチで無線装置のオン/オフを制御する場合は、赤色のイグニッションケーブルをヒューズ盤の「イグニッション」に接続してください。

イグニッション感知ケーブルは 3 アンペアのヒューズを使用します。

3.7 アンテナの設置



注：RF エネルギー安全基準に準拠するため、LTE アンテナは乗員または第三者から 20cm 以上離して設置してください。

3.7.1

アンテナの取り付け



注意：アンテナを取り付ける際、運転やエアバッグの動作を妨げたり、制限したりしないようにしてください。



注：LTE アンテナおよび GNSS アンテナを車両の外部に取り付けしないでください。

手順:

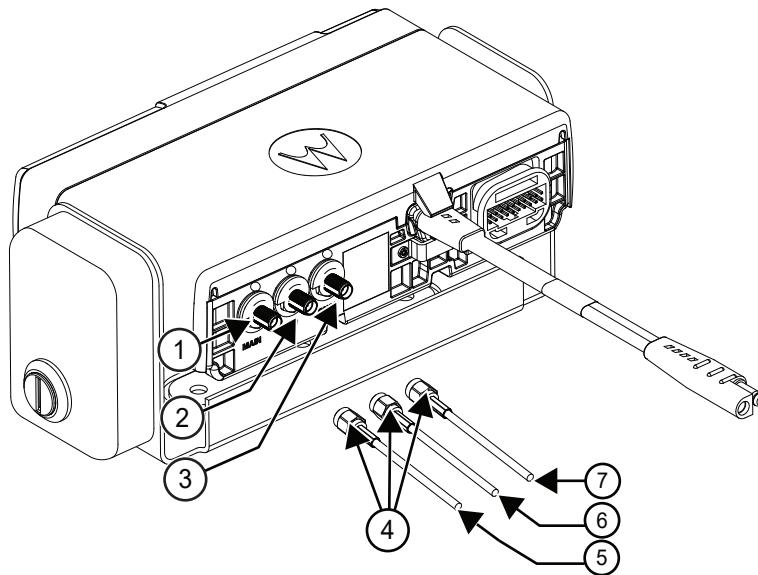
- 1 アンテナ キットに記載されている手順に従ってアンテナを取り付けます。無線機の取り付け位置に同軸ケーブルを通します。



注：金属面にアンテナを取り付けしないでください。

- 2 無線機背面にある無線機アンテナ コネクタにアンテナ ケーブル コネクタを接続します。

図 14：無線機背面へのアンテナ接続



ラベル	説明
1	メイン LTE アンテナ コネクタ (赤)
2	LTE ダイバーシティ アンテナ コネクタ (青)
3	GNSS アンテナ コネクタ (黄)
4	アンテナ ケーブル プラグ
5	メイン アンテナ ケーブル
6	DIV アンテナ ケーブル
7	GNSS アンテナ ケーブル

- 3 メインおよびダイバーシティで構成される 2 個の LTE アンテナポートを、それぞれメイン SMA コネクタ (赤) およびダイバーシティ SMA コネクタ (青) に接続します。
- 4 GNSS アンテナを、無線機の背面にある GPS アンテナ SMA コネクタ (黄) に接続します。

- 5 LTE アンテナを取り付けるには、アンテナ表面の底部にある粘着テープ保護材をはがし、アンテナをダッシュボード、または代替としてウインドシールドの内面に取り付けます。
- 6 GNSS アンテナを取り付けるには、次のいずれかを行います。



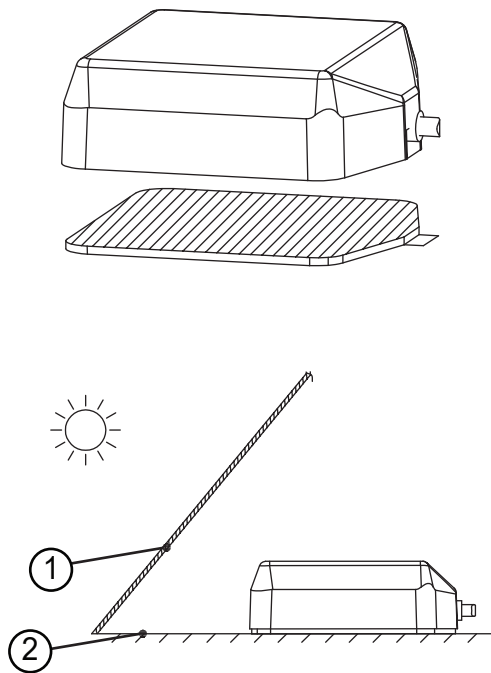
注：

LTE アンテナと GNSS アンテナが 30 cm 離れていることを確認します。

アンテナは、ダッシュボードまたは代替としてウインドシールドの内面に取り付けることができます。

- GNSS アンテナをダッシュボードに取り付けるには、アンテナの底面に粘着フィルム (赤) を貼り付けます。粘着フィルム (赤) の保護材をはがし、アンテナをダッシュボードに取り付けます。

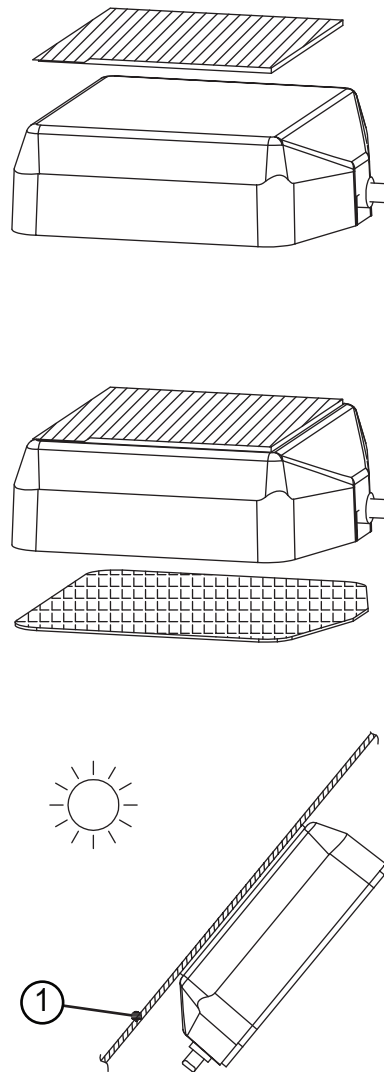
図 15：ダッシュボードに **GNSS** アンテナを取り付ける




ラベル	説明
1	ウインドシールド
2	ダッシュボード

- GNSS アンテナをウインドシールドの内面に取り付けするには、アンテナの上部に粘着フィルム (赤) を、アンテナの底面に装飾フィルム (黒) を貼り付けます。粘着フィルム (赤) の保護材をはがし、アンテナをウインドシールドに取り付けます。


図 16 : ウインドシールド内部に GNSS アンテナを取り付ける



ラベル	説明
1	ウインドシールド

 注 : アンテナが表面にしっかりと取り付けられていることを確認します。

7 アンテナ ケーブル コネクタを手で締めます。

 注 : ペンチやその他の金属製工具は使用しないでください。

3.8

マイクのハングアップクリップ

この章では、標準のハングアップクリップの使用方法について説明します。

3.8.1

標準のハングアップクリップ

ハングアップクリップはオペレータの手の届く範囲になければなりません。実際にブラケットを取り付ける前に、この距離を測定してください。ブラケットには戻り止め機能があるため、マイクの取り付け位置は問われません。マイクのハングアップクリップは接地している必要があります。

ハングアップクリップをテンプレートとして使用し、取り付けの穴の位置を決めます。マイクを取り外す際の干渉を避けるため、クリップの穴の上部に平頭ネジを差し込みます。

3.9

設置の完了

電源線を接続し、マイクのケーブルを車載型無線機のプラグにつないで、設置を完了します。

章 4

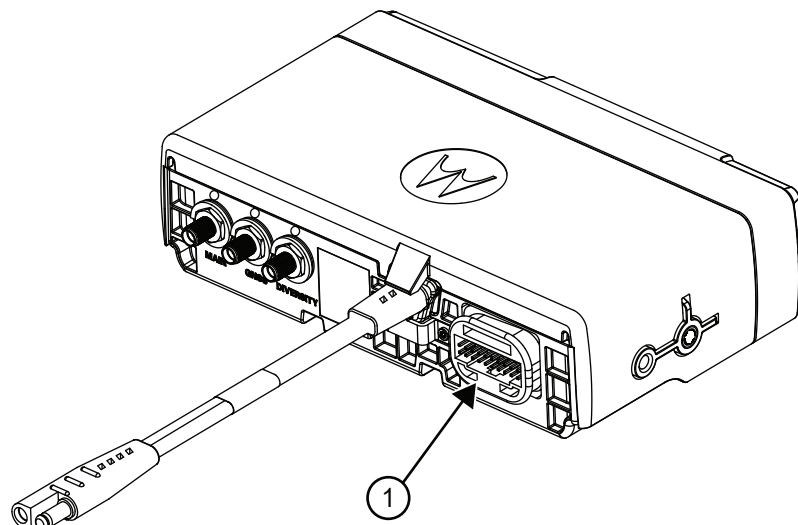
アクセサリの取り付け

アクセサリは、無線機背面の電源コネクタの隣にある背面アクセサリ コネクタを使用して取り付ける必要があります。

16 ピンの MAP コネクタ キット (HLN9457_) を介して、認定 TLK 150 アクセサリを、背面にあるモバイル アクセサリ ポート (MAP) コネクタに接続します。アクセサリ コネクタ ブロックはピンを短絡から保護します。Motorola Solutions が認定したアクセサリのほとんどには、アクセサリ コネクタ ブロックに適合するように特別に設計されたメス端子が付属しています。

「背面アクセサリ コネクタのピン接続 (無線機の背面から見た図)」に示すように、アクセサリのメス端子をアクセサリ コネクタ ブロックの適切な位置に挿入します。無線機の電源を切り、電源ケーブルを外します。アクセサリ コネクタ ブロックを背面の MAP コネクタに接続します。アクセサリとケーブルがすべて、しっかり接続されていることを確認してください。最後に電源ケーブルを接続します。

図 17：背面アクセサリ コネクタの位置



ラベル	説明
1	背面モバイル アクセサリ ポート (MAP) コネクタ

図 18 : 16 ピンのアクセサリ コネクタ ブロック

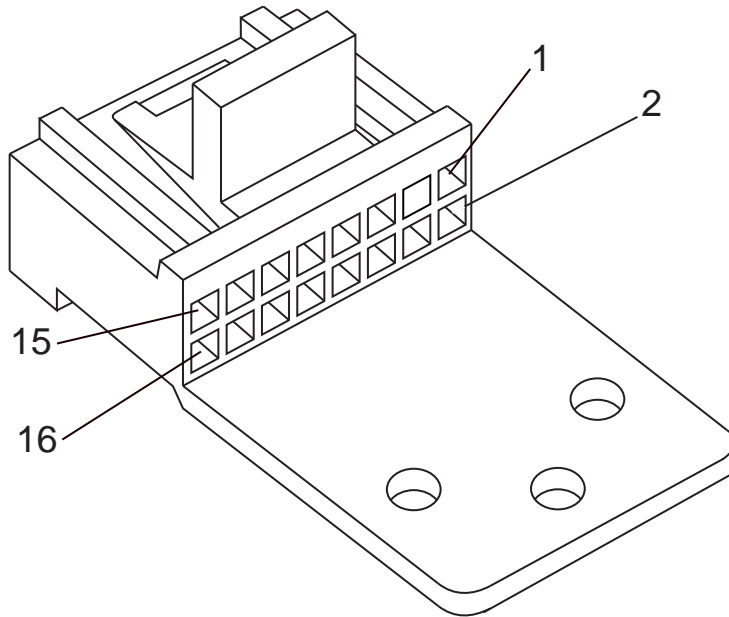


図 19 : 背面アクセサリ コネクタのピン接続 (無線装置の背面から見た図)

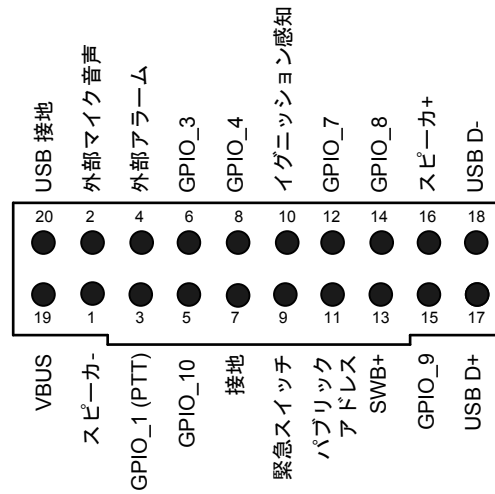


表 1 : 背面アクセサリ コネクタのピン接続

Pin 番号	Pin 名	Pin 機能
1	スピーカ -	スピーカ - (最低 3.2Ω のインピーダンス)
2	外部マイク音声	背面外部マイク入力
3	GPIO-1 (PTT)	5V レベル GPIO、PTT 入力 ¹

¹ この線を接地に引くと、外部マイク音声入力が作動します。

Pin 番号	Pin 名	Pin 機能
4	外部アラーム	今後サポートおよび認定されるアクセサリ用。
5	GPIO_10	今後サポートおよび認定されるアクセサリ用。
6	GPIO_3	5V レベル GPIO、外部マイク検出 ²
7	接地	接地
8	GPIO_4	今後サポートおよび認定されるアクセサリ用。
9	緊急 SW	緊急スイッチ入力
10	イグニッション感知	イグニッション感知入力 ³
11	パブリック アドレス	外部スピーカのオーディオ出力。
12	GPIO_7	今後サポートおよび認定されるアクセサリ用。
13	SWB+	今後サポートおよび認定されるアクセサリ用。
14	GPIO_8	今後サポートおよび認定されるアクセサリ用。
15	GPIO_9	5V レベル GPIO、外部スピーカ検出 ⁴
16	スピーカ+	スピーカ + (最低 3.2Ω のインピーダンス)
17	USB D+	ユニバーサル シリアル バス データ ⁺⁵
18	USB D-	ユニバーサル シリアル バス データ ₅
19	VBUS	USB 電源 (USB ケーブルから 5 V) ⁵
20	USB 接地	ユニバーサル シリアル バス接地

4.1

緊急プッシュボタンまたはエマージェンシー・フットスイッチの取り付け

キット付属のハードウェアを使用して、緊急プッシュボタン (Motorola Solutions 部品番号 RLN4857_) またはエマージェンシー・フットスイッチ (Motorola Solutions 部品番号 RLN4836_R) を取り付けます。アクセサリ コネクタハウジングに端子を押し込みます。緊急スイッチワイヤをピン 9 とピン 7 に接続します。スイッチの位置からコントロールヘッドの位置に完成ケーブルを配線します。

² 外部バイザマイクが接続されている場合、GPIO_3 を接地する必要があります。

³ 配線に関する詳細は、「配線図」および「電源ケーブル」の章を参照してください。

⁴ 外部スピーカが接続されている場合、GPIO_9 を接地する必要があります。


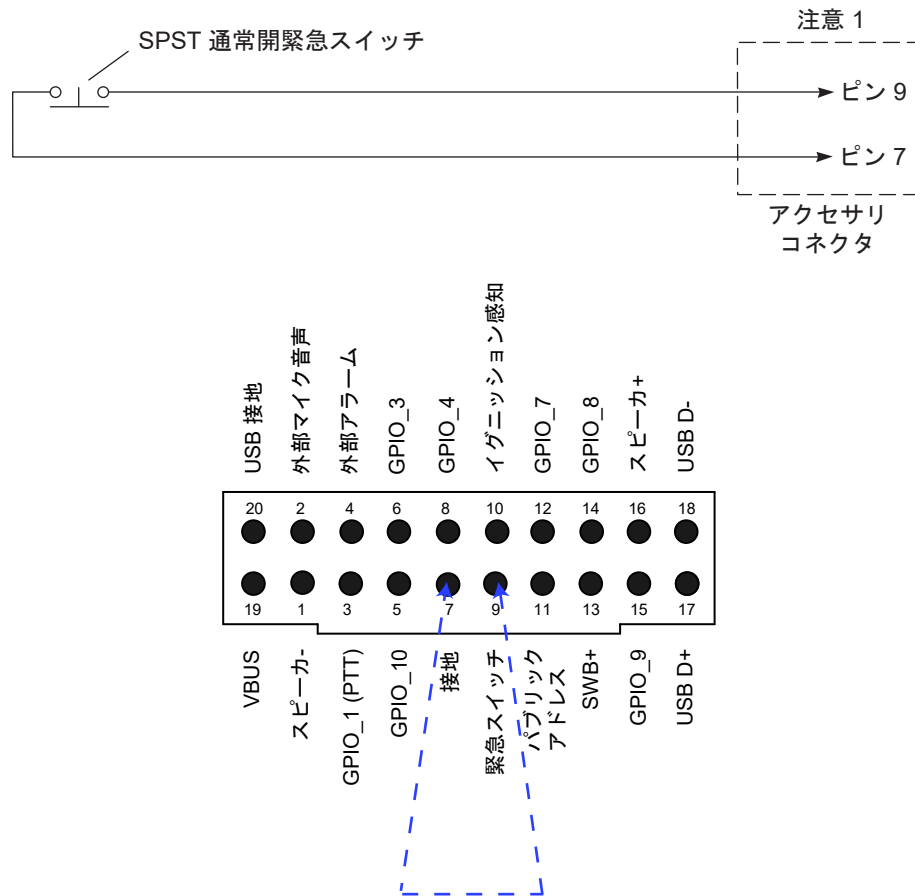
⁵  注意：ピンに 5V を超える電圧を加えると、回路が損傷するおそれがあります。

図 20：緊急スイッチ配線図



4.2 外部スピーカの取り付け

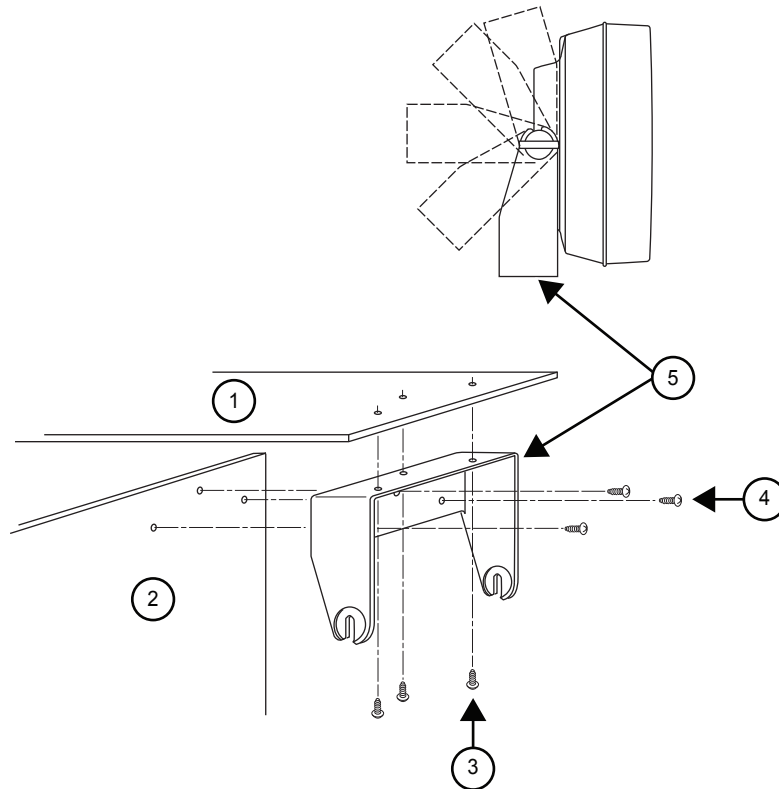
外部スピーカキットには、スピーカをさまざまな方法で取り付けできるブラケットが含まれています。
 前提条件:

⚠ 注意：無線機のスピーカのリード線は接地しないでください。このシステムには、フローティングスピーカ出力(両方のリードのDC電圧)があります。両方のリードを接地または短絡させると、オーディオ回路が損傷します。

使用するタイミングと場所: ブラケットを使用すると、外部スピーカをダッシュボードやアクセス可能な室内壁に固定できます。ブラケットにより、最適に操作できるように外部スピーカを傾けることができます。車両の乗員が蹴飛ばしたり、触ったりしないように、外部スピーカを邪魔にならない位置に取り付けます。

- 手順:
- 1 外部スピーカの取り付けブラケットをテンプレートとして使用し、取り付ける穴の位置に印を付けます。
 - 2 付属のセルフドリルネジでブラケットを固定します。
 - 3 外部スピーカを接続し、2個の蝶ネジでブラケットを固定します。
 - 4 カーペットや床の敷物の下、またはキックパネルの裏側にスピーカのワイヤを配線します。車両の乗員がひっかけて断線しないように、ワイヤを邪魔にならない位置に配線します。

図 21 : 外部スピーカの取り付け



ラベル	説明
1	ダッシュボード
2	室内壁 (例)
3	ダッシュボードに取り付けたまま固定できます。
4	壁付近に取り付けたまま固定できます。
5	ブラケット

4.3 外部スピーカの取り付け

使用するタイミングと場所: 外部スピーカ (Motorola Solutions 部品番号 AC000240A01_) ケーブルは、16 ピンの MAP コネクタ キット (Motorola Solutions 部品番号 HLN9457_) に接続します。

手順:

- 1 圧着端子付きの 2 本のリード線をピン 16 (スピーカ +) とピン 1 (スピーカ -) に接続します。極性は重要ではありません。
- 2 外部スピーカを検出するには、ピン 15 (GPIO_9) をピン 7 (接地) に接続します。
- 3 16 ピンの MAP コネクタ キットを、背面のモバイル アクセサリ ポート (MAP) コネクタの中央に接続します。

4.4

バイザーマイクの取り付け

使用するタイミングと場所: バイザ マウント マイク (Motorola Solutions 部品番号 GMMN4065_) ケーブルは、16 ピンの MAP コネクタ キット (Motorola Solutions 部品番号 HLN9457_) に接続します。

手順:

- 1 圧着端子付き白色リード線のリードをピン 2 (外部マイク音声) に接続します。
- 2 圧着端子付きアース線のリードをピン 7 (接地) に接続します。
- 3 外部マイクを検出するために、ピン 6 (GPIO_3) をピン 7 (接地) に接続します。
- 4 16 ピンの MAP コネクタ キットを、背面のモバイル アクセサリ ポート (MAP) コネクタの中央に接続します。

4.5

リモート PTT (バイザーマイク用) の取り付け

使用するタイミングと場所: リモート マウント フット スイッチ PTT (Motorola Solutions 部品番号 RLN4856_) またはリモート マウント プッシュボタン PTT (Motorola Solutions 部品番号 RLN4857_) ケーブルは、16 ピンの MAP コネクタ キット (Motorola Solutions 部品番号 HLN9457_ の一部) に接続します。

手順:

- 1 圧着端子付きワイヤのリード線をピン 3 (GPIO-1) に接続します。
- 2 圧着端子付きワイヤのリード線をピン 7 (接地) で接地します。
- 3 外部マイクを検出するために、ピン 6 (GPIO_3) をピン 7 (接地) に接続します。
- 4 16 ピンの MAP コネクタ キットを、背面のモバイル アクセサリ ポート (MAP) コネクタの中央に接続します。

章 5

ベスト プラクティス: 設置とトラブルシューティング

このセクションでは、以下のような多数の問題を予防したり対処したりするために Motorola Solutions が推奨する車載例について説明します。

- 過電圧状態による無線回路の損傷
- 無線機/アクセサリの "ロック アップ"
- 無線機の PTT を押すと、無線機/アクセサリが状態/ロックアップを変更する
- 無線機が断続的にリセットされる
- エンジンを作動させて送信すると、オルタネータがうなる音がする
- 無線機/アクセサリが勝手にオン/オフになる
- 車両のクランキング中またはバッテリーのメンテナンス中に無線機が誤作動で緊急状態アラートを送信する

5.1

イグニッションと無線機のイグニッション感知の配線の確認

- コントロール ヘッドのオン/オフ スイッチの他に、イグニッション感知スイッチで無線機をオン/オフする必要がある場合は、イグニッション感知リード線を、イグニッション スイッチ (通常、アクセサリまたは無線機の下) の車両のヒューズ盤にあります) からアクセサリ端子に接続します。

5.2

無線機の接地と無線機アクセサリの配線の物理的な取り付けの確認

- A+ リード線 (赤色) がバッテリーのプラス端子に直接接続され、接地リード線 (黒色) が車両のシャーシに接続され、ワイヤの長さが適切であることを確認します。
- 車両にその他の電子機器 (ライト、方向指示器、コンピュータ サイレン、PA など) が搭載されている場合は、車載型無線機に個別の接地を使用します。
- LTE と WiFi トランシーバの間で共存時の性能を向上させるため、LTE アンテナと車載型無線機の間で最低限必要な距離 (15cm) をとってください。
- A+ (赤色) リード線の余った部分を束ねないでください。束ねると、大電流が流れたときに (送信時など)、大規模な過渡電圧が発生する可能性があります。
- 可能な場合は、余分な長さのアンテナ ケーブルを束ねないでください。束ねると、無線機の受信性能に影響することがあります。

5.3

電力線とイグニッション線の電力品質の向上

手順:

- 1 リレーを使用して、無線機のイグニッション感知ポイントから車両のイグニッション スイッチポイント (ACC) を切り離すには、次の操作を実行します。
 - a 車両のイグニッション スイッチ ポイント (ACC) からこのリレーを制御します。

- b バッテリーのプラス端子から、無線機のイグニッション検知ポイントに接続されているリレーにより、クリーンな電圧を供給します。
 - c 無線機のイグニッション連動ケーブルを切り替えるのではなく、ACC 線からリレーを切り替えます。
- 2 A+ リード線とバッテリーのプラス端子間に電源線フィルタを取り付けるには、次の操作を実行します。
 - a 送信機の電力増幅器に適用されるバッテリー電源をフィルタ処理します。
 - b この場合、このシリーズのフィルタは無線機が送信するときにマイナス スパイクが発生するために、無線機の操作に問題が発生することがあるので、特に注意が必要です。
 - 3 電気機械式リレーを使用して、ライト、モーター、スイッチ ボックスなどの外部デバイスを制御する車両の場合、次の操作を実行します。
 - a リレー回路を車載型無線機から切り離します。
 - b リレー接点に抑制ダイオードを使用して、磁場の減衰により発生するノイズを最小限に抑えます。
 - 4 イグニッション感知スイッチを使用する場合、次の操作を実行します。
 - a A+ ポイント (通常はバッテリーのプラス端子) とイグニッション感知ポイント間に大幅な電圧降下がないことを確認します。
 - b すべてのアクセサリ/エアコンなどが作動している場合は、この 2 か所のポイントの電圧の相違が 1.5V を超えないようにしてください。
 - c 最低電圧レベルと最大電圧レベルの仕様については、製品の『基本サービス マニュアル』を参照してください。
 - d 通常のバッテリー電圧レベルは 13.6V +/- 20% です。

5.4


車両のジャンプスタート

前提条件:



注意: 接続している無線機の電源またはイグニッション連動ケーブルで車両をジャンプスタートさせないでください。無線機やアクセサリが損傷する可能性があります。ジャンプスタートする前の無線機の状態が不明の場合、ジャンプスタートすると、無線機は最新の状態 (無線機オン) に戻ろうとします。したがって、無線機が搭載されている車両をジャンプスタートさせる前に、次の手順を実行することを推奨します。

手順:

- 1 バッテリーのプラス端子の近くにある、イグニッション連動ケーブルと主電源のリード線 (赤色の太いワイヤ) の位置を確認します。
 -  **注:** これらの線にはヒューズが付いています。ヒューズが付いていない場合 (適切なヒューズを直列に追加)、必要な工具 (何でもよい) を使用して、イグニッション感知線と電源線をバッテリー端子から物理的に切り離します。
- 2 ヒューズ ホルダを開き、キットからヒューズを外します。
- 3 ヒューズを付けずにヒューズ ホルダを締め直し、イグニッション連動ケーブルと電源線が稼働部品と干渉しないようにします。
- 4 車両オーナー マニュアルの記述どおりにジャンプスタートを行います。
- 5 ジャンプスタートが完了したら、ヒューズ ホルダにヒューズを再度取り付けます。

付録 A

交換部品の注文

交換部品、予備部品、製品情報の中には、Motorola Solutions の現地販売店または Motorola Online から直接注文できるものがあります。

注文に関する基本情報

Motorola Solutions の部品番号が割り当てられた部品であっても、Motorola Solutions Radio Products and Solutions Organization で購入できるとは限りません。⁶(RPSO)。廃版になり、サプライヤが供給を中止したために流通していない部品もあります。Motorola Solutions の部品番号が割り当てられていない場合、通常その部品は Motorola Solutions から入手できないか、またはユーザーが使用できる補修部品ではありません。部品番号にアスタリスクが付加されている場合、その部品は Motorola Solutions デポでのみサービスを受けることができます。

交換部品、キット、およびアセンブリは、Motorola Solutions の地域販売組織または Motorola オンラインで直接ご注文ください。交換部品や機器情報を注文する場合は、完全な識別番号が必要です。これは、コンポーネント、キット、シャーシすべてに適用されます。コンポーネントの部品番号が不明の場合は、その一部であるシャーシまたはキットの番号と、どのコンポーネントがご入用かを判断するための十分な説明が必要です。

参照のない予備部品を特定するには、最寄りの Motorola Solutions 代理店のカスタマー ケア部門にご相談ください。

Motorola オンライン

製品カタログは、Motorola オンライン Web サイトで入手できます。ログイン アクセスに登録するには

- 米国およびカナダのサービス センターに限り、1-800-422-4210 までお電話ください。

注文方法	連絡先情報
メール オーダー メール オーダーは、米国連邦政府市場局 (USFGMD) のみ受け付けます。	Motorola Solutions 7031 Columbia Gateway Drive 3rd Floor – Order Processing Columbia, MD 21046 米国
電話でのオーダーとパーツの特定	Radio Products and Solutions Organization (RPSO) (米国およびカナダ) 7:00 AM ~ 7:00 PM (米国中央標準時) 月曜日から金曜日 (米国シカゴ) 1-800-422-4210 1-847-538-8023 (米国およびカナダ) 米国連邦政府市場局 (USFGMD)

⁶ Radio Products and Solutions Organization (RPSO) の旧名称は、無線製品サービス部門 (RPSD)、アクセサリおよびアフターマーケット部門 (AAD) です。

注文方法	連絡先情報
	1-800-826-1913 Federal Government Parts (クレジットカードのみ) 8:30 AM ~ 5:00 PM (米国東部標準時)
ファックスによる注文	Radio Products and Solutions Organization (RPSO) (米国およびカナダ) 1-800-622-6210 1-847-576-3023 (米国およびカナダ)
	米国連邦政府市場局 (USFGMD) 1-800-526-8641

製品カスタマー サービス

Radio Products and Solutions Organization (RPSO) (米国およびカナダ)
1-800-927-2744

付録 B

Motorola Solutions のオフィス

無線機の詳細については、以下の Motorola Solutions のオフィスにお問い合わせください。

表 2 : Motorola Solutions のオフィス

オフィス	住所	電話番号
Motorola Solutions サービスセンター	1220 Don Haskins Drive, Suite A El Paso, TX 79936	915-872-8200
Motorola Solutions Federal Technical Center	10105 Senate Drive Lanham, MD 20706	1800-969-6680 Fax: 1800-784-4113
Motorola Solutions Canadian Technical Logistics Center	181 Whitehall Drive Markham, Ontario L3R 9T1	1-800-543-3222

文書履歴

このマニュアルでは、前回のバージョンから次の点が大きく変更されています。

エディション	説明	日付
MN006372A01-AA	初回リリース	2020年3月
MN006372A01-AB	日本語訳の更新	2020年5月
MN006372A01-AC	バイザ マウント マイクの部品番号は、「バイザ マウント マイクの取り付け」で更新されていません。	2020年7月
MN006372A01-AD	「SIM カードの挿入」トピックを追加、および「アンテナの取り付け」トピックを更新。	2021年1月
MN006372A01-AE	設置の例のトピックを追加。 「アクセサリの取り付け」の「背面アクセサリ コネクタのピン接続」の表を更新。	2021年2月
MN006372A01-AF	「アクセサリの取り付け」の「背面アクセサリ コネクタのピン接続」の表を更新。	2021年6月

序文

本マニュアルは、同タイプの装置に精通した熟練技術者による使用を前提にしています。本マニュアルには、特に車載型無線機の設置に必要な情報が含まれています。

無線機の操作またはコンポーネントレベルのトラブルシューティングの詳細については、個別に入手可能なマニュアルを適宜参照してください。刊行されている参考書のリストは「関連資料」の項に記載しています。

ドキュメントの著作権

Motorola Solutions の書面による明示的な許可なく、このドキュメントの一部または全部を複製または配布することは禁止されています。本マニュアルのどの部分についても、どのような形式または手段（電子的または機械的）であろうとも、Motorola Solutions からの書面による明示的な許可なしに複製、配布、伝送を行うことはできません。

法的小よび準拠に関する声明

製品の安全性と電磁波被曝に関する要件の準拠



注意：本製品をご使用になる前に、無線機に同梱されている製品の安全性と電磁波による影響に関する冊子をお読みください。ここには、安全な使用方法、電磁波エネルギーに関する重要な説明、該当する基準および法規制を遵守するための管理情報が記載されています。

コンピュータ ソフトウェア著作権

本マニュアルに記載されている Motorola Solutions 製品には、半導体メモリやその他メディアに保管されている著作権取得済み Motorola Solutions コンピュータ プログラムが含まれている場合があります。米国およびその他諸国の法律で、著作権取得済みのコンピュータ プログラムの一定の独占権が Motorola Solutions のために保護されています。この際、著作権取得済みコンピュータ プログラムのあらゆる形態での複製または再生の独占権が含まれますが、これに限定されません。したがって、本マニュアルで説明される Motorola Solutions 製品に含まれるいかなる著作権取得済み Motorola Solutions コンピュータ プログラムも、Motorola Solutions からの書面による明示的な許可を得なければ、いかなる方法においても複製、再生、修正、リバース エンジニアリング、配信できません。さらに、Motorola Solutions 製品を購入しても、直接的あるいは黙示的、禁反言的、またはその他の方法によっても、Motorola Solutions の著作権、特許、または特許出願の対象となるライセンスは、一切付与されません。ただし、製品の販売において法の運用によって生じる通常の非独占的な使用ライセンスについては、この限りではありません。

免責条項

本ドキュメントの情報は慎重に検討されており、全面的に信頼できると見なしています。ただし、内容に誤りや不正確な記述がある場合でも一切の責任を負わないものとします。さらに、Motorola Solutions は読みやすさ、機能または設計の改善のために、本ドキュメントに記載されているいかなる製品も変更できる権利を有します。Motorola Solutions は、本ドキュメントに記載されている製品や回路の適用または使用に起因する一切の責任を負いません。また、その特許権または他人の権利に基づくライセンスも対象となりません。

商標

© 2021 Motorola Solutions, Inc. 無断複写、転載を禁じます。

MOTOROLA、MOTO、MOTOROLA SOLUTIONS および図案化された M ロゴは、Motorola Trademark Holdings, LLC の商標または登録商標であり、ライセンスの下に使用されています。その他のすべての商標は、該当する各所有者が権利を有しています。

限定保証

MOTOROLA SOLUTIONS 通信製品

I. この保証の対象と期間:

Motorola Solutions, Inc. (「Motorola Solutions」) は、以下に挙げる Motorola Solutions 製造の通信製品 (「製品」) を、以下に規定されたとおり、購入日から一定期間、通常の使用およびサービスで発生する製造上の不具合に対して保証します。

車載型無線機	1 年間
製品アクセサリ	1 年間

この保証に従って保証期間内の返品が発生した場合、Motorola Solutions はその自由裁量により、無償で製品の修理 (新品または再生部品を使用)、製品の交換 (新品または再生製品)、または製品の購入価格での返金を行います。交換した部品またはボードは、元の該当保証期間から差し引いて保証されます。製品の交換済み部品はすべて Motorola Solutions の所有となります。

この明示的な限定保証は、購入したエンド ユーザー本人に対して Motorola Solutions が適用するものであり、第三者への譲渡または移転はできません。Motorola Solutions が製造した製品に対する保証は、これがすべてです。Motorola Solutions は、その権限を持つ Motorola Solutions の責任者が書面に記載して署名した場合を除き、この保証に対する追記や変更について、一切の義務または責任を負いません。

Motorola Solutions と購入したエンド ユーザー本人との間で別途契約が発生した場合を除き、Motorola Solutions は製品の設置、保守、またはサービスを保証しません。

Motorola Solutions は、Motorola Solutions が提供したものの以外の、製品に付属し使用される周辺機器または製品の周辺機器の操作については、いかなる責任も負いません。このような機器はすべてのこの保証の適用範囲外となります。本製品が使用されるシステムにはそれぞれ独自性があるため、Motorola Solutions は、本保証の下で稼働しているシステム全体としての領域、範囲、または運用に対する責任を負わないものとします。

II. 全般的な規定

この保証は、製品に関する Motorola Solutions のすべての責任を規定します。Motorola Solutions の選択で行われる修理、交換、購入代金の払い戻しは、排他的な救済策です。この保証は、その他すべての明示的な保証の代替となるものです。商品性および特定の目的への適合性の保証、およびそれらに限定されない暗黙的な保証は、この限定保証の期間内に限定されます。いかなる場合も、MOTOROLA SOLUTIONS は、製品を使用できないことによる損失、時間的損失、不都合、経済的損失、利益または資本の損失、または製品の使用または製品を使用できないことに起因する、その他の付随的損害、特別損害、もしくは結果的損害について、法律で許される最大限の範囲において、製品の購入価格を超える損害について責任を負いません。

III. 州法の権利:

州によっては、偶発的または付随的損失の除外または制限、または暗黙的保証の期間の制限を認めていない場合があるため、上記の制限または除外は適用されない場合があります。

この保証は特定の法的権利と、州によって異なるその他の権利を付与するものです。

IV.保証サービスを受ける方法

保証サービスを受けるには、購入の証明 (購入の日付と購入品目のシリアル番号のあるもの) を提示し、送料または保険料の前払いを行ったうえで、認可された保証サービス窓口に製品を送付する必要があります。保証サービスは、認可された保証サービス窓口の 1 つを通じて Motorola Solutions によって提供されます。購入者が製品を購入した会社 (ディーラー、または通信サービス プロバイダなど) に最初に連絡すると、保証サービスを滞りなく受けられます。また、Motorola Solutions (1-800-927-2744) に電話にてご依頼いただくこともできます。

V. 本保証の対象とならないもの

- 1 正常かつ通常以外の方法で本製品を使用した結果生じた欠陥または損害。
- 2 誤用、事故、水、または不注意の結果生じた欠陥または損害。
- 3 不適切なテスト、操作、保守、設置、変更、改変、または調節の結果生じた欠陥または損害。
- 4 材質または製造上の欠陥に直接起因しないアンテナの破損または損傷。
- 5 本製品の性能に悪影響を及ぼす、または保証請求内容を検証するために Motorola Solutions が実施する本製品の標準保証検査およびテストの妨げとなるような、無許可の改変、分解、または修理 (Motorola Solutions 以外が提供した機器を本製品に追加することを含むがこれに限定されない) が行われた製品。
- 6 シリアル番号が消されているか判読できない製品。
- 7 次の条件に該当する充電式バッテリー。
 - セルのバッテリー カバー上のシールが破損しているか、不正な変更の証拠が見られる場合。
 - 破損または欠陥が、指定された製品以外の機器またはサービスでバッテリーを充電または使用したことにより生じた場合。
- 8 修理窓口までの運送費。
- 9 製品のソフトウェア/ファームウェアの不法または承認されていない改造により、Motorola Solutions が最初に製品を出荷した時点では準拠していた Motorola Solutions の公開仕様または FCC 認定ラベルのとおり機能しなくなった場合。
- 10 本製品の動作に影響を与えない、製品表面に付いた傷または他の表面的な損傷。
- 11 正常かつ通常の傷や磨耗。

VI.特許およびソフトウェアに関する条件

Motorola Solutions は、本製品または部品が米国特許権を侵害しているという請求に基づく範囲において、エンド ユーザーである購入者に対するいかなる訴訟でも、自ら費用を負担して抗弁します。また、Motorola Solutions は、そのような請求に基づく訴訟でエンド ユーザーである購入者に最終的に裁定された費用および損害賠償金を支払いますが、このような抗弁および支払いには、次のような条件が課されます。

- 1 該当する購入者が、該当する請求通知を書面で速やかに Motorola Solutions に通知すること。
- 2 Motorola Solutions が、そのような訴訟の弁護、および解決または和解のためのすべての交渉を独占的に管理すること。
- 3 本製品または部品が、米国特許権侵害の請求の対象となる場合、または Motorola Solutions がその可能性があると判断した場合、該当する購入者は、Motorola Solutions が、自由裁量により自ら費用を負担して、本製品または部品を使用し続ける権利を購入者のために獲得すること、本製品または部品を交換または修正して特許権侵害を解消すること、または本製品または部品の減価償却を購入者に対して認め、その返却を受け入れることを Motorola Solutions に許可すること。減価は、Motorola Solutions が規定する製品または部品の寿命年数に応じた金額となります。

Motorola Solutions は、Motorola Solutions が提供するものでないソフトウェア、装置、または機器とともに提供される製品または部品の組み合わせに基づく特許侵害の申立について、責任を負いません。また、Motorola Solutions は、製品に関連して添付または使用される、Motorola Solutions が提供するものでない周辺機器またはソフトウェアの使用について、一切の責任を負いません。上記の記載は、関連する製品または部品による特許の侵害に関する Motorola Solutions の全体的な責任について規定するものです。

米国およびその他の国の法律では、Motorola Solutions に対し、著作権で保護された Motorola Solutions 製ソフトウェアに関する一定の独占権を認めています。これには、該当する Motorola Solutions 製ソフトウェアを複製および配布する独占権などがあります。Motorola Solutions ソフトウェアは、ソフトウェアが本来同梱されている製品のみで使用できるものです。当該製品のソフトウェアは、あらゆる手段による交換、複製、配布、改変、またはその派生物を作成するための使用を禁じられています。Motorola Solutions ソフトウェアの改変、変更、複製、配布またはリバース エンジニアリングを含み、それらに限定されないその他の使用、または Motorola Solutions ソフトウェアの権利の行使は、禁止されています。Motorola Solutions の特許権または著作権のもとで、黙示的、禁反言的、またはその他の方法によって、ライセンスが付与されることはありません。

VII. 準拠法

本保証は米国イリノイ州の法律に準拠します。